

**Technical data :**

Rated voltage	48 V AC/DC
Rated current	6 A
Insulation resistance	> 100 MΩ
Ambient temperature range	-25...70 °C

**Protection :**

Protection degree	IP65
-------------------	------

**Y connector :**

Overmoulding material	TPU, self-extinguishing
-----------------------	-------------------------

**Cable characteristics :**

Sheath material	PVC
Wire structure	5 G 0,50 mm <sup>2</sup>
Conductor class	5
Sheath diameter	5,8 mm
Flame resistance according to	IEC 60332-1 (CEI 20-22 II)
Oil resistance according to	CNOMO E03.40.150.N
Standard UL-style	1581

**Cable length :**

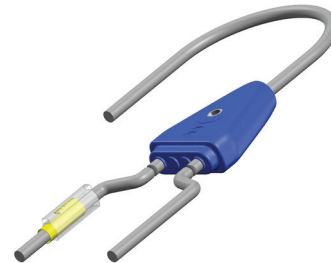
L length	0,3 m
L1 length	0,3 m
L2 length	0,6 m

**Notes**

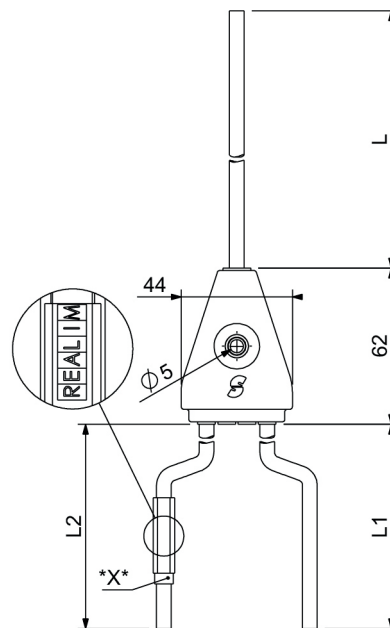
\*X\* : Coloured marker

Markers in PVC mounted in the label holder : REALIM

## YSPE1 Specific



**Dimensions :**



**Wiring diagram :**

