

Technical data :

Rated voltage	30 V AC/DC
Rated current	2 A
Insulation resistance	> 1000 MΩ
Ambient temperature range	-25...70 °C

Protection :

Protection degree	IP65
-------------------	------

M8 straight female connector :

Locking nut/screw material	CuZn, nickel-plated
Overmoulding material	TPU, self-extinguishing
Contact diameter	Ø1 mm
Contact material	CuZn, pre-plated with nickel and gold-plated
Contact resistance	< 5 mΩ

T connector / Y connector :

Overmoulding material	TPU, self-extinguishing
-----------------------	-------------------------

M8 straight male connector (2x) :

Locking nut/screw material	CuZn, nickel-plated
Overmoulding material	TPU, self-extinguishing
Contact diameter	Ø1 mm
Contact material	CuZn, pre-plated with nickel and gold-plated
Contact resistance	< 5 mΩ

Cable characteristics :

Sheath material	PVC
Wire structure	0,25mm ²
Flame resistance according to	IEC 60332-1 (VDE 0472-804/B)

Cable protection characteristics :

Silicone rubber-coated fiberglass braided sleeving	
Max. contact temperature	+250°C (peak +290°C)
Max. sleeving length = 5 m	

Cable length :

L1 length	250 mm (+20/0)
L2 length	250 mm (+20/0)
Other length	On request

Notes :

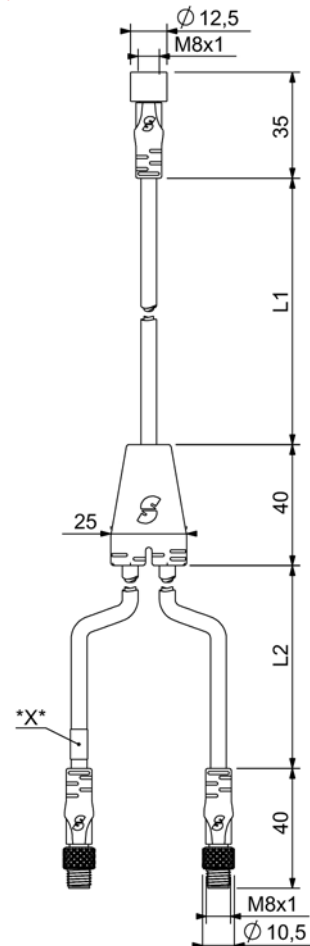
X : Coloured marker

T8V/4MLLDM0055TS

Welding environment



Dimensions :



Wiring diagram :

