

**Technical data :**

Rated voltage	30 V AC/DC
Rated current	2 A
Insulation resistance	> 1000 MΩ
Ambient temperature range	-25...70 °C

**Protection :**

Protection degree	IP65
-------------------	------

**M8 straight female connector :**

Locking nut/screw material	CuZn, nickel-plated
Overmoulding material	TPU, self-extinguishing
Contact diameter	Ø1 mm
Contact material	CuZn, pre-plated with nickel and gold-plated
Contact resistance	< 5 mΩ

**T connector / Y connector :**

Overmoulding material	TPU, self-extinguishing
-----------------------	-------------------------

**M8 straight male connector (2x) :**

Locking nut/screw material	CuZn, nickel-plated
Overmoulding material	TPU, self-extinguishing
Contact diameter	Ø1 mm
Contact material	CuZn, pre-plated with nickel and gold-plated
Contact resistance	< 5 mΩ

**Cable characteristics :**

Sheath material	PVC
Wire structure	0,25mm <sup>2</sup>
Flame resistance according to	IEC 60332-1 (VDE 0472-804/B)

**Cable protection characteristics :**

Silicone rubber-coated fiberglass braided sleeving	
Max. contact temperature	+250°C (peak +290°C)
Max. sleeving length = 5 m	

**Cable length :**

L1 length	150 mm (+20/0)
L2 length	150 mm (+20/0)
Other length	On request

**Notes :**

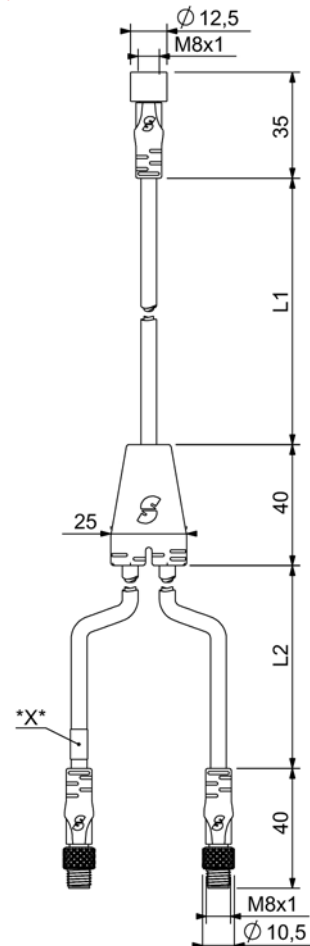
\*X\* : Coloured marker

## T8V/4MLLDM0035TS

Welding environment



**Dimensions :**



**Wiring diagram :**

