

Technical data :

Rated voltage	30 V AC/DC
Rated current	2 A
Insulation resistance	> 1000 MΩ
Ambient temperature range	-25...70 °C

Protection :

Protection degree	IP65
-------------------	------

M12 angled female connector :

Locking nut/screw material	Zamak, nickel-plated
Spot welding splash protection sleeve	
Overmoulding material	TPU, self-extinguishing
Contact diameter	Ø0,8 mm
Contact material	CuZn, pre-plated with nickel and gold-plated
Contact resistance	< 5 mΩ

Cable characteristics :

Sheath material	PVC
Wire structure	8 x 0,25 mm ²
Conductor class	6
Sheath diameter	6,1 mm
Flame resistance according to	IEC 60332-1 (VDE 0472-804/B)
Oil resistance according to	EN 50363 & IEC 60811-2-1

Cable protection characteristics :

Silicone rubber-coated fiberglass braided sleeving	
Max. contact temperature	+250°C (peak +290°C)
Max. sleeving length = 5 m	

Cable length :

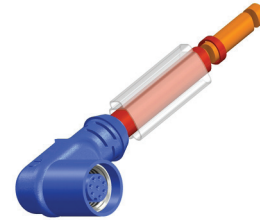
L length	2 m
Other length	On request (max. sleeving length = 5 m)

Accessories (included) :

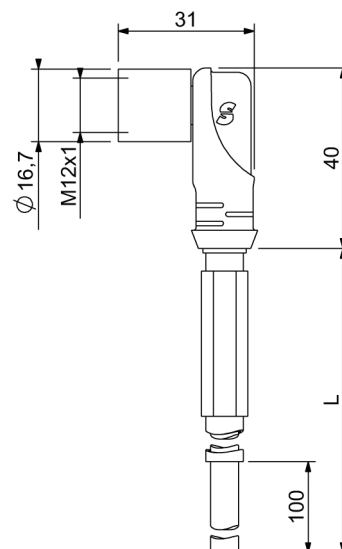
1 label holder

T12/8C25TS

Welding environment



Dimensions :



Wiring diagram :

