

### Technical data :

Operating voltage	10...30 V DC
Rated current	4 A
Insulation resistance	> 1000 MΩ
Ambient temperature range	-25...70 °C

### Protection :

Protection degree	IP65
-------------------	------

### M12 straight male connector :

Locking nut/screw material	Zamak, nickel-plated
Overmoulding material	TPU, self-extinguishing
Contact diameter	Ø1 mm
Contact material	CuZn, pre-plated with nickel and gold-plated
Contact resistance	< 5 mΩ

### M12 angled female connector (LEDs) :

Locking nut/screw material	Zamak, nickel-plated
Spot welding splash protection sleeve	
Overmoulding material	TPU, self-extinguishing
Contact diameter	Ø1 mm
Contact material	CuZn, pre-plated with nickel and gold-plated
Contact resistance	< 5 mΩ
LED(s) colour	LEDs (YE / YE / GN)
Compatibility type	PNP
Current consumption per LED	< 5 mA

### Status indication :

Signal (2)	Yellow LED
Signal (4)	Yellow LED
Power	Green LED

### Cable characteristics :

Sheath material	PVC
Wire structure	5 G 0,34 mm <sup>2</sup>
Conductor class	6
Sheath diameter	5,8 mm
Flame resistance according to	IEC 60332-1 (VDE 0472-804/B)

### Cable protection characteristic :

Silicone rubber-coated fiberglass braided sleeving

### Tubing characteristic :

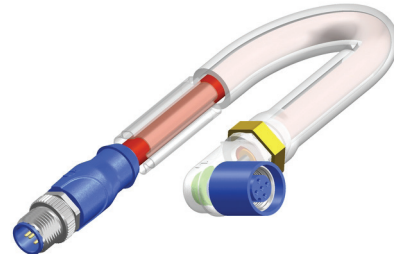
Ø10 / Ø14 mm high-strength silicone tubing  
Max. contact temperature +255°C (peak +300°C)  
Tube crimped to the female connector with a brass ring

### Cable length :

L standard lengths 0,6 m / 1 m / 2 m / 3 m / 4 m / 5 m  
Other length On request  
Référence : remplacer «...» par la longueur souhaitée : 006/1/2/3/4/5

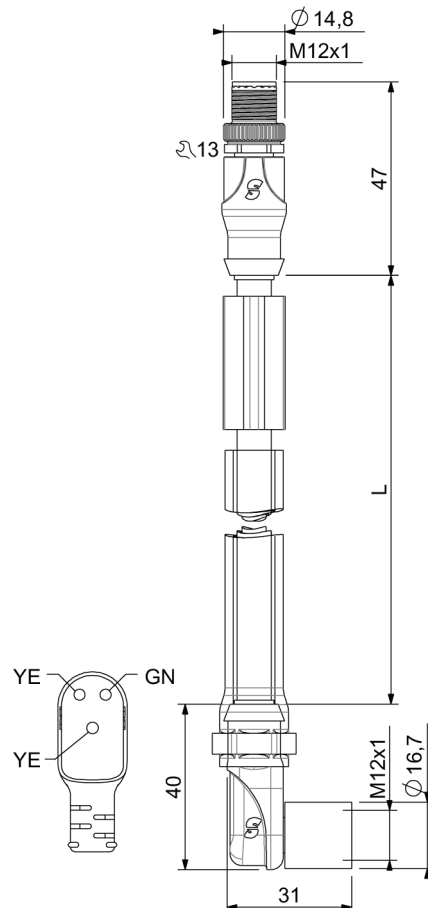
## T12/5MLP3...5DTS

Welding environment



RoHS

### Dimensions :



### Wiring diagram :

