

### Technical data :

|                           |             |
|---------------------------|-------------|
| Rated voltage             | 48 V AC/DC  |
| Rated current             | 4 A         |
| Insulation resistance     | > 1000 MΩ   |
| Ambient temperature range | -25...70 °C |

### Protection :

|                   |      |
|-------------------|------|
| Protection degree | IP65 |
|-------------------|------|

### M12 angled male connector :

|                            |  |
|----------------------------|--|
| Locking nut/screw material | Zamak, nickel-plated                         |
| Overmoulding material      | TPU, self-extinguishing                      |
| Contact diameter           | Ø1 mm  |
| Contact material           | CuZn, pre-plated with nickel and gold-plated |
| Contact resistance         | < 5 mΩ                                       |

### M12 straight female connector :

|                                       |  |
|---------------------------------------|--|
| Locking nut/screw material            | Zamak, nickel-plated                         |
| Spot welding splash protection sleeve |  |
| Overmoulding material                 | TPU, self-extinguishing                      |
| Contact diameter                      | Ø1 mm  |
| Contact material                      | CuZn, pre-plated with nickel and gold-plated |
| Contact resistance                    | < 5 mΩ                                       |

### Cable characteristics :

|                               |                              |
|-------------------------------|------------------------------|
| Sheath material               | PVC                          |
| Wire structure                | 5 G 0,34 mm <sup>2</sup>     |
| Conductor class               | 6                            |
| Sheath diameter               | 5,8 mm                       |
| Flame resistance according to | IEC 60332-1 (VDE 0472-804/B) |

### Cable protection characteristics :

|  |                      |
|--|----------------------|
| Silicone rubber-coated fiberglass braided sleeving |                      |
| Max. contact temperature                           | +250°C (peak +290°C) |

### Cable length :

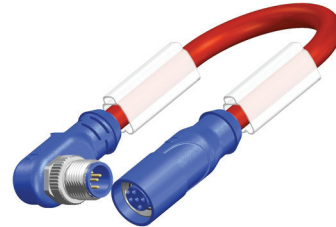
|   |                 |
|---|-----------------|
| L standard lengths                            | 1 m / 2 m / 5 m |
| Other length                                  | On request      |
| Reference : replace «...» by length required: | 1/2/5           |

### Accessories (included) :

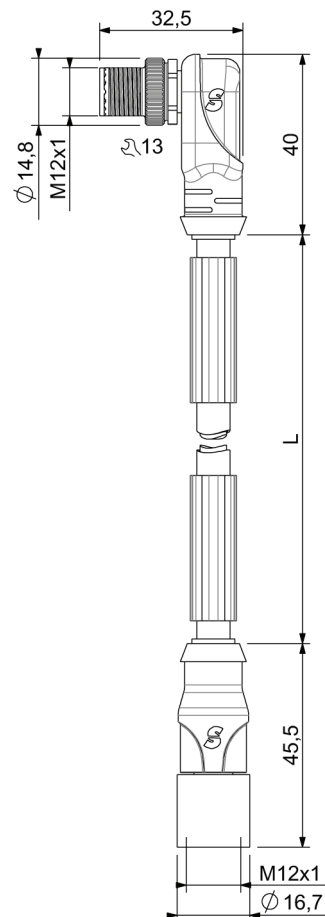
2 label holders

## T12/5MCL...5TS

Welding environment



### Dimensions :



### Wiring diagram :

