

Technical data :

| | |
|---------------------------|-------------|
| Rated voltage | 30 V AC/DC |
| Rated current | 2 A |
| Insulation resistance | > 1000 MΩ |
| Ambient temperature range | -25...70 °C |

Protection :

| | |
|-------------------|------|
| Protection degree | IP65 |
|-------------------|------|

M12 angled male connector :

| | |
|----------------------------|--|
| Locking nut/screw material | Zamak, nickel-plated |
| Overmoulding material | TPU, self-extinguishing |
| Contact diameter | Ø1 mm |
| Contact material | CuZn, pre-plated with nickel and gold-plated |
| Contact resistance | < 5 mΩ |

M8 straight female connector :

| | |
|---------------------------------------|--|
| Locking nut/screw material | CuZn, nickel-plated |
| Spot welding splash protection sleeve | |
| Overmoulding material | TPU, self-extinguishing |
| Contact diameter | Ø1 mm |
| Contact material | CuZn, pre-plated with nickel and gold-plated |
| Contact resistance | < 5 mΩ |

Cable characteristics :

| | |
|-------------------------------|------------------------------|
| Sheath material | Halogen free PUR |
| Wire structure | 4 x 0,14 mm ² |
| Conductor class | 6 |
| Sheath diameter | 3,4 mm |
| Flame resistance according to | IEC 60332-1 (VDE 0472-804/B) |
| Oil resistance according to | EN 50363 & IEC 60811-2-1 |

Cable protection characteristics :

| | |
|--|----------------------|
| Silicone rubber-coated fiberglass braided sleeving | |
| Max. contact temperature | +250°C (peak +290°C) |
| Max. sleeving length = 5 m | |

Cable length :

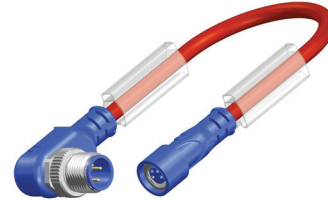
| | |
|--------------|---|
| L length | 1 m |
| Other length | On request (max. sleeving length = 5 m) |

Accessories (included) :

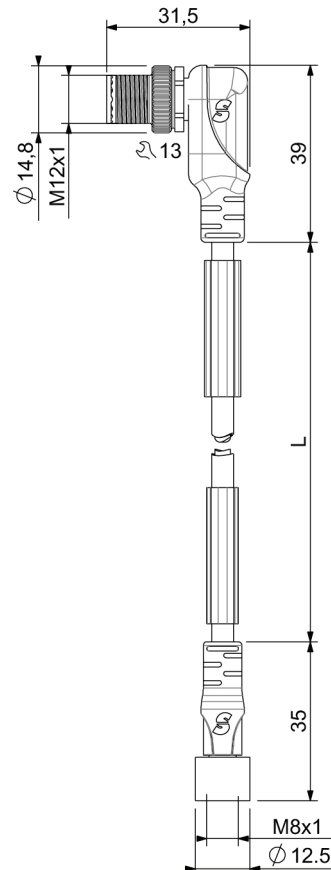
2 label holders

T128V/4MCL15TS

Welding environment



Dimensions :



Wiring diagram :

