

Set including :

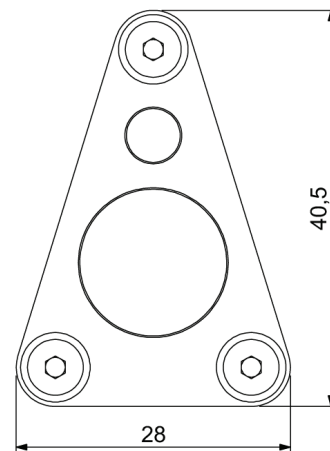
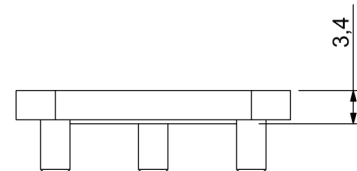
- 2x Emitter sensing face (a red one & a transparent one)
- 2x Receiver sensing face (a red one & a transparent one)
- 1x Anodized aluminium retaining plate
- 3x CHC M3-8mm zinc-plated steel screw (ISO 10642 DIN 7991)
- 1x Flat seal

Assembly instructions :

See page 2

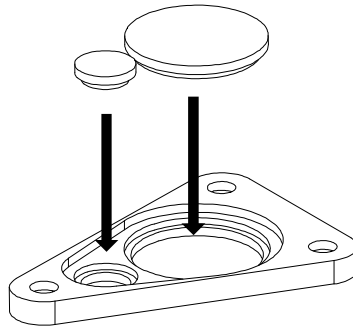


Dimensions :

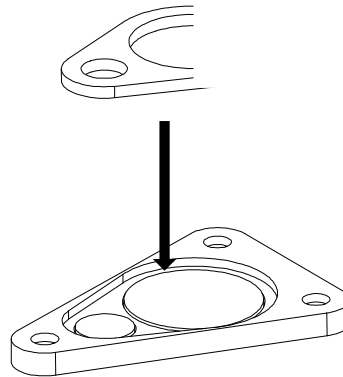


Assembly instructions :

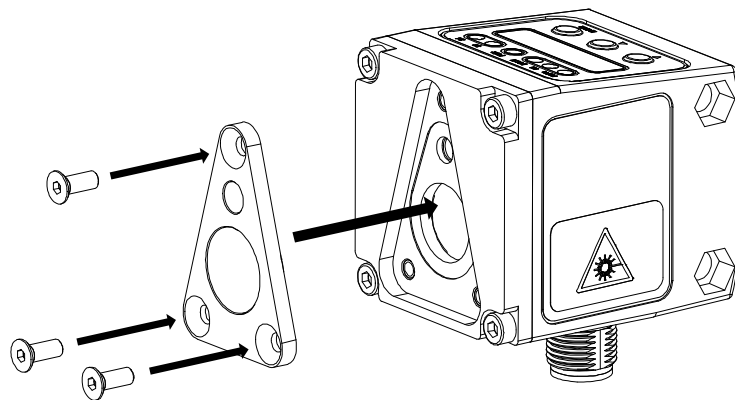
1 Choose the same window colour as the one on the telemeter



2



3



Tightening torque : 0,5 N.m