

**Technical data :**

Output type	PNP
Function	NO
Operating voltage	10...30V DC
Operating current	200 mA
No-load consumption	< 30 mA
Voltage drop	< 2 V
Residual current	< 70 $\mu$ A
Ambient temperature range	0...60 °C
Switching frequency	30 Hz
Power-on delay	< 300 ms
Adjustment method	Detection threshold adjustment by teaching

**Protection :**

Reverse polarity protection	
Short-circuit protection	
Overload protection	
IEC 61000-4-2 (ESD)	4 kV contact / 8kV air
IEC 61000-4-4 (Burst)	2kV / 5kHz
IEC 61000-4-6 (RF conducted)	3V 150kHz...80MHz
Protection degree	IP67

**Materials :**

Housing	Anodized aluminium
Electrode bracket	Stainless steel, PTFE coated
Sensing face	Scratch-resistant PMMA

**Status indication :**

Power	Green LED
Upper electrode OK / Limit OK	Yellow LED / Red LED
Lower electrode OK / Limit OK	Yellow LED / Red LED

**Connection :**

Connector	M12
Connector	M8

**Accessories (included) :**

- 1 cap for M8 receptacle (teaching)
- 1 G 1/8 cap

**Accessories (not included) :**

- Teaching pocket (BA01)

**Detected electrode type :**

20mm / 16mm

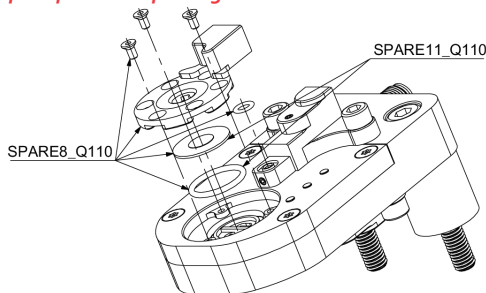
**Autorized maximum force on electrode bracket :**

4 kN

**Electrode bracket screw maximum torque :**

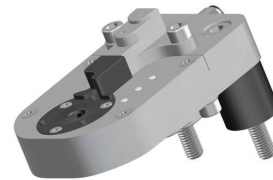
1 N.m

**Spare parts & Replacing mode :**

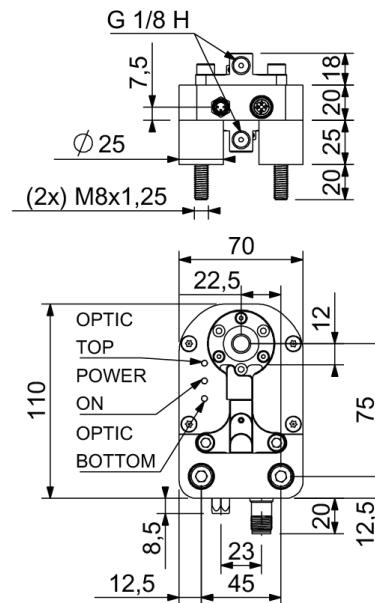


## SEA9033211701G

Brightness control series  
Q110



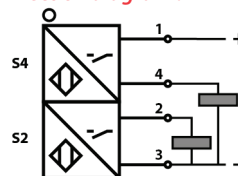
**Dimensions :**



**Truth table :**

Détecteur bas Bottom Sensor	Détecteur haut Top Sensor	Sortie S2 Output S2	Sortie S4 Output S4
0	0	0	0
0	1	0	1
1	0	1	0
1	1	1	1

**Connection diagram :**



**Pin assignment :**

