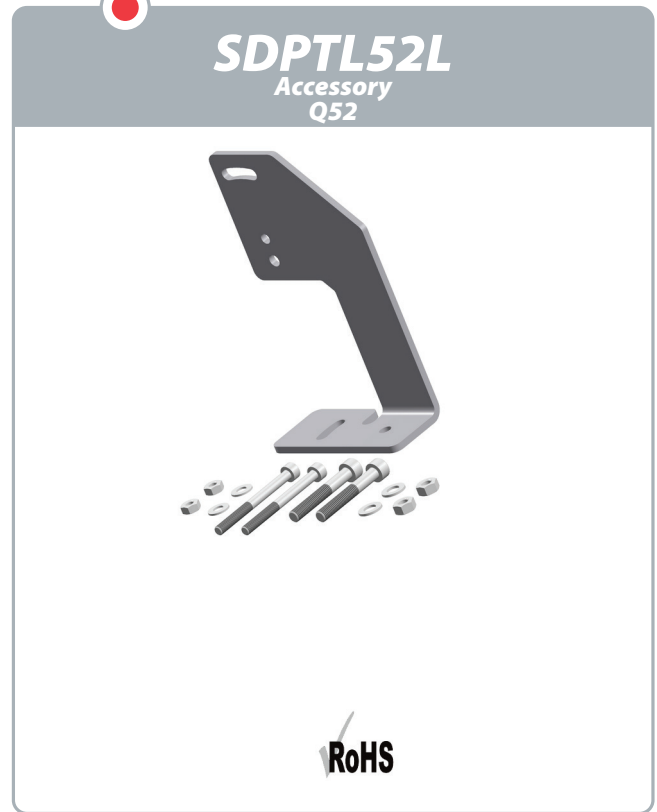


Set including :

- 1 RAL 7016 thermo-lacquered steel holder
- 2 screws CHC M5-35mm, zinc-plated steel
- 2 M5 nuts
- 2 Ø5 washers
- 2 screws CHC M4-45mm, zinc-plated steel
- 2 M4 nuts
- 2 Ø4 washers



Dimensions :

