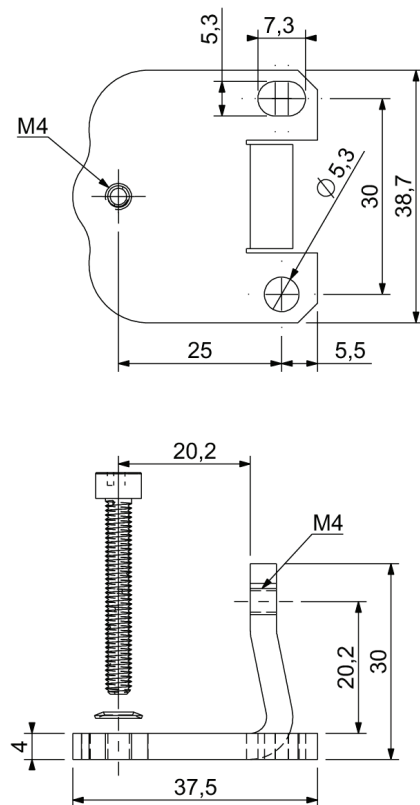


Set including :

- 1 Q40 stainless steel holder
- 1 zinc-plated steel screw CHC M4-40 mm
- 1 stainless steel spring washer, Type S



Dimensions :



General tolerances : ISO 2768 - mK