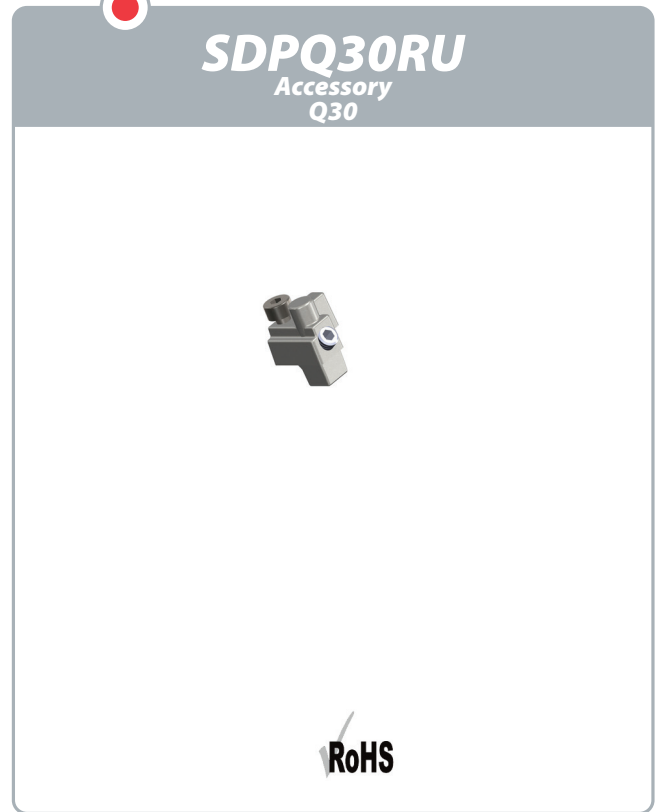


**Set including :**

- 1 x Index (Zamak)
- 1 stainless steel screw CHC M2-4 mm
- 1 stainless steel screw STHC M3-8 mm

**Recommended tightening torque :**

0,25 Nm (M2 Screw) / 0,5 Nm (M3 Screw)



**Dimensions :**

