

**Set including :**

Aluminium flange

1 zinc-plated steel screw CHC M5-16 mm (DIN7984)

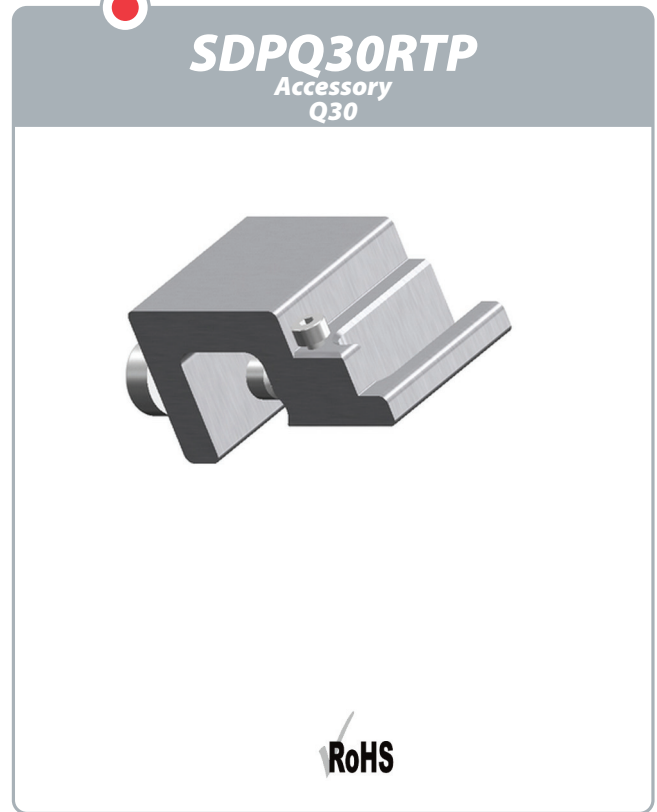
1 stainless steel screw CHC M2-4 mm (DIN912 ISO4762)

**Clamping diameter range :**

Clamping diameter range (Ø) : 4...12 mm

**Recommended tightening torque :**

0,25 Nm (M2 Screw) / 1,3 Nm (M5 Screw)



**Dimensions :**

