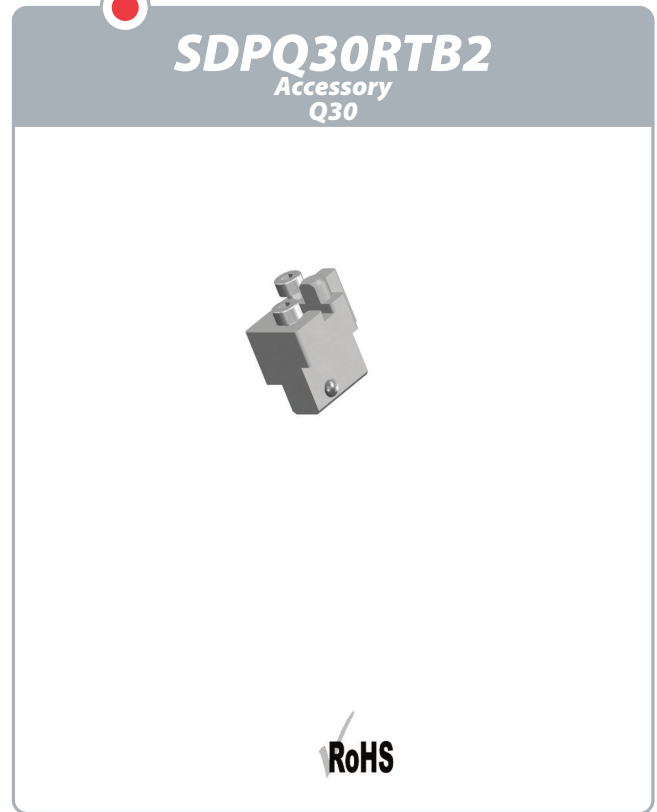


Set including :

- 1 x Index (Aluminium)
- 1 stainless steel screw CHC M2-4 mm
- 1 stainless steel screw CHC M2-8 mm

Recommended tightening torque :

0,25 Nm (M2 Screw)



Dimensions :

