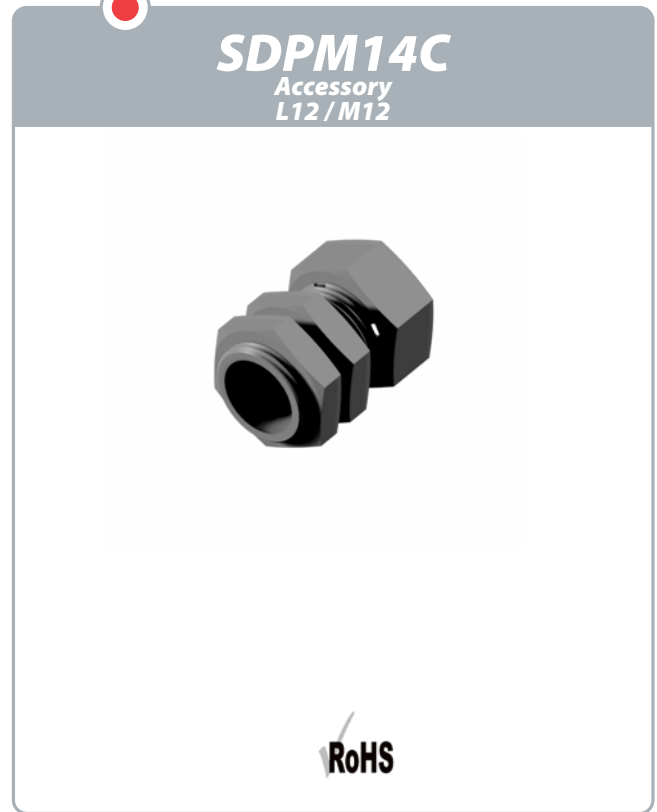


Set including :

- Burnished steel sensor holder
- 2 burnished steel fixing nuts
- 1 burnished steel locking nut

Advantages :

- Quick fixing of smooth or threaded sensors
- Stopped sensor with distance settings conservation
- Sensor fully protected by sensor's holder



Dimensions :

