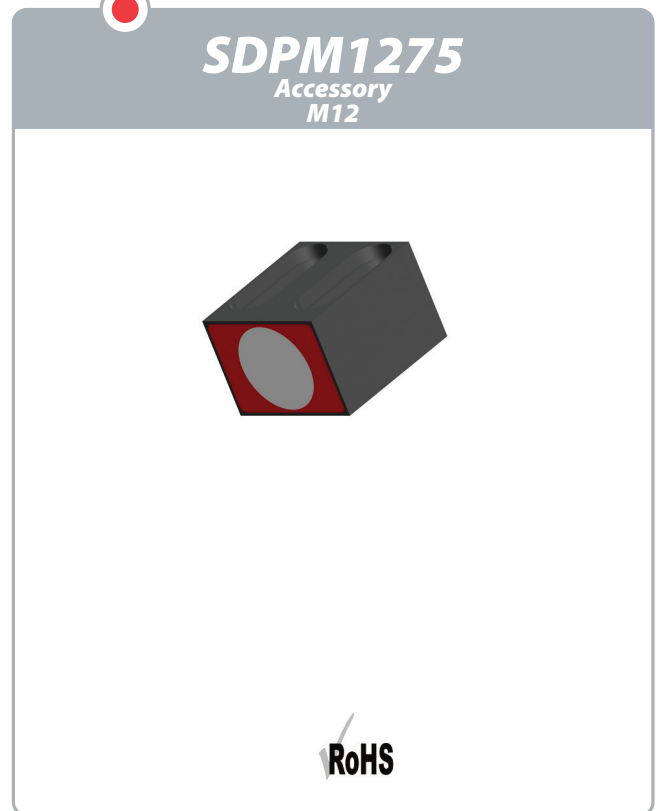


Technical data :

Holder : Steel, PTFE coated

Sensing face protection : PTFE, welding protection coating



Dimensions :

