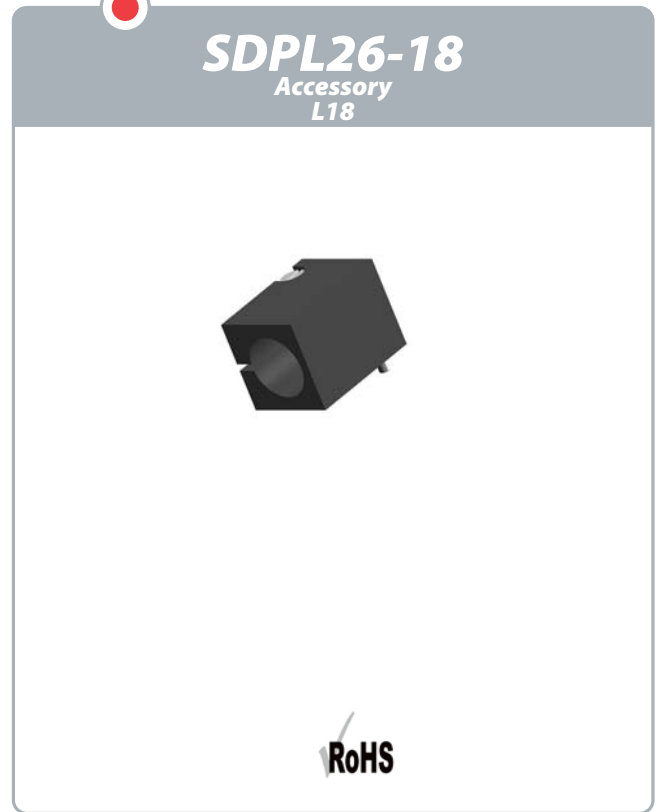


Set including :

- Plastic flange
- 1 zinc-plated steel captive screw M4-30 mm
- 1 Ø3 DIN6325 pin, mounted in the clamp



Dimensions :

