

Technical data :

Rated operating distance (Sn)	10 mm
Mounting mode	Flush
Output type	PNP
Function	NO/NC
Operating voltage	10...36V DC
Operating current	200 mA
No-load consumption	< 10 mA
Voltage drop	< 2 V
Residual current	< 70 µA
Ambient temperature range	-25...70 °C
Hysteresis	3...15 %
Repeatability	< 5 %
Switching frequency	150 Hz

Protection :

Reverse polarity protection	
Short-circuit protection	
Overload protection	
IEC 61000-4-2 (ESD)	4 kV contact / 8kV air
IEC 61000-4-4 (Burst)	2kV / 5kHz
IEC 61000-4-6 (RF conducted)	3V 150kHz...80MHz
IEC 61000-4-3 (RF radiated) according to EN 12895:2015 *	

* This EMC test has been performed by the customer (KION Group) itself.

Class II insulation	
Protection degree	IP67

Materials :

Housing	PA
Sensing face	PA

Status indication :

Output	Yellow LED
--------	------------

Connection :

Cable	PUR (4x0,34mm ²)
Cable length	2 m

Accessories (included) :

- 1 Q26 zamak holder
- 1 zinc-plated steel screw CHC M4-30 mm
- 1 zinc-plated steel screw CHC M4-8 mm
- 1 zinc-plated steel screw CHC M4-6 mm

Remarks :

The SAP9050891719D sensor is similar to the SAP9050891719A sensor, but with another oscillating frequency, to avoid cross-talk problems with this one.

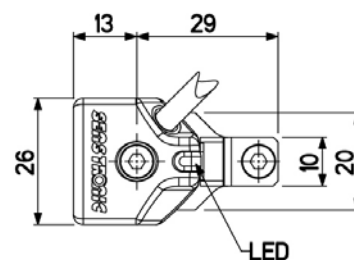
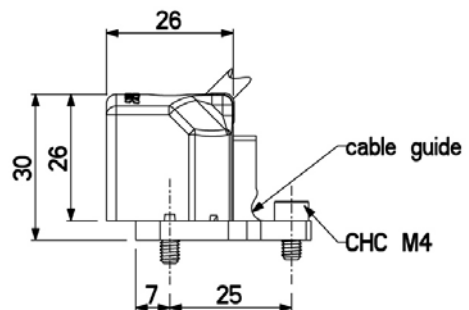
A black housing (instead of blue housing) is used, to easily identify this sensor.

SAP9050891719D

Q26



Dimensions :



Connection diagram :

