

Technical data :

Output type	PNP
Function	NO
Operating voltage	10...30V DC
Operating current	100 mA
No-load consumption	< 15 mA
Voltage drop	< 2 V
Residual current	< 70 μ A
Ambient temperature range	0...85 $^{\circ}$ C
Hysteresis	3...15 %
Repeatability	< 5 %
Switching frequency	20 Hz
Slide's total stroke	1,8 mm +/- 0,3 mm
Force to be applied to the slide for detecting	< 2,5 N
Slide's biasing force	> 0,9 N

Protection :

Reverse polarity protection	
Short-circuit protection	
Overload protection	
IEC 61000-4-2 (ESD)	4 kV contact / 8kV air
IEC 61000-4-4 (Burst)	2kV / 5kHz
IEC 61000-4-6 (RF conducted)	3V 150kHz...80MHz
Protection degree	IP67

Materials :

Housing	Brass, nickel-plated
Slide	Stainless steel

Status indication :

Output	Yellow LED
--------	------------

Connection :

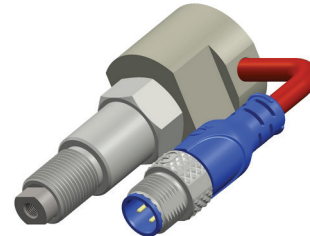
Connector	M12
Cable	PVC
Cable length	0,3 m
Cable protection	Silicone-coated fiberglass braided sleeving

Accessories (included) :

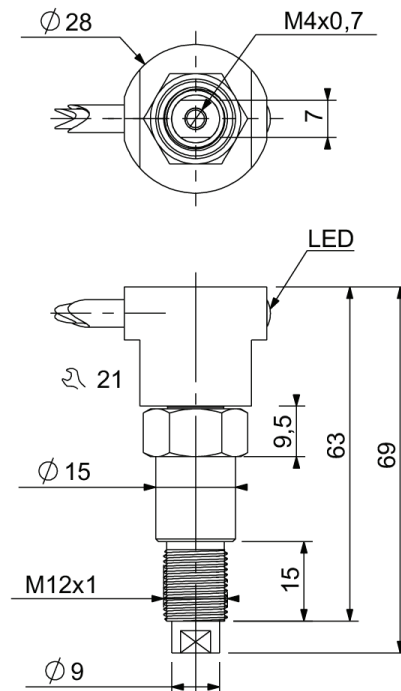
Transmitter (TRSPY)	
---------------------	--

SAA9209481517D

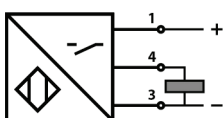
Poka-Yoke



Dimensions :



Connection diagram :



Pin assignment :

