

**Technical data :**

Rated operating distance (Sn)	2,5 mm
Mounting mode	Flush (*)
(*) Sensing range measured when flush mounted (as shown in diagram enclosed) with standard target according to EN 60947-5-2	
Output type	PNP
Function	NO
Operating voltage	10...30V DC
Operating current	100 mA
Non-Load consumption	< 20 mA
Voltage drop	< 2 V
Residual current	< 70 µA
Ambient temperature range	-25...85 °C
Hysteresis	3...15 %
Repeatability	< 5 %
Switching frequency	8 Hz

**Protection :**

Reverse polarity protection	
Short-circuit protection	
Overload protection	
IEC 61000-4-2 (ESD)	4kV Contact / 8kV Air
IEC 61000-4-4 (Burst)	2kV / 5kHz
IEC 61000-4-6 (RF conducted)	3V 150kHz...80MHz
Protection degree	IP67/IP68 (*)

**Materials :**

Housing	Stainless steel
Sensing face	Stainless steel

**Connection :**

Connector	M12
-----------	-----

**Accessories (included) :**

1 stainless steel fixing nut

**Remarks :**

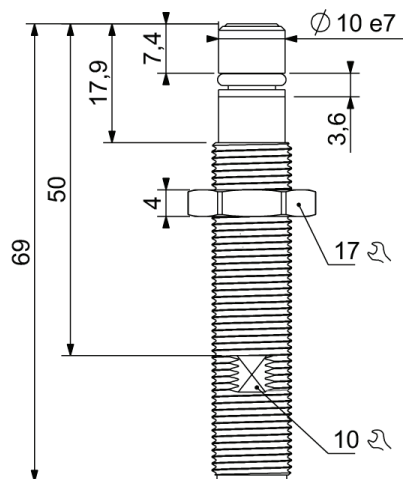
(\*) IP68 : For more details, please enquire

## SAA9112221805B

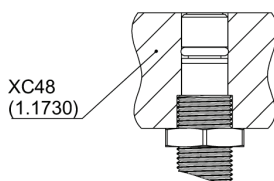
High pressure (500 bar)  
M12



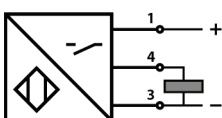
**Dimensions :**



**Details view (mounting mode) :**



**Connection diagram :**



**Pin assignment :**

