

**Technical data :**

Rated operating distance (Sn)	5 mm
Mounting mode	Flush
Output type	PNP
Function	NO
Operating voltage	10...30V DC
Operating current	200 mA
Non-Load consumption	< 15 mA
Voltage drop	< 2 V
Residual current	< 70 $\mu$ A
Ambient temperature range	0...85 °C
Hysteresis	3...15 %
Repeatability	< 5 %
Switching frequency	250 Hz

**Protection :**

Reverse polarity protection	
Short-circuit protection	
Overload protection	
IEC 61000-4-2 (ESD)	4kV Contact / 8kV Air
IEC 61000-4-4 (Burst)	2kV / 5kHz
IEC 61000-4-6 (RF conducted)	3V 150kHz...80MHz
Magnetic field immunity	150 mT (AC/DC)
Protection degree	IP67

**Materials :**

Housing	Anodized aluminium
Sensing face	PA

**Status indication :**

Power	Green LED
Output	Yellow LED

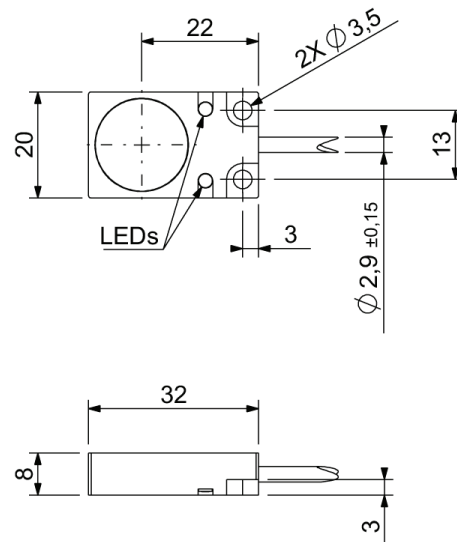
**Connection :**

Cable	PUR, halogen free (3 x 0,14 mm <sup>2</sup> )
Cable length	2 m

**SAA10C0110782217A**  
Factor 1 Series  
Q32



**Dimensions :**



**Connection diagram :**

