

Technical data :

| | |
|-------------------------------|--------------|
| Rated operating distance (Sn) | 40 mm |
| Mounting mode | Flush |
| Function | NO |
| Operating voltage | 10...30V DC |
| Operating current | 1,5...100 mA |
| Voltage drop | < 5 V |
| Residual current | < 600 µA |
| Ambient temperature range | 0...85 °C |
| Hysteresis | 2...15 % |
| Repeatability | < 5 % |
| Switching frequency | 10 Hz |

Protection :

| | |
|---|------------------------|
| Reverse polarity protection | |
| Short-circuit protection | |
| Overload protection | |
| IEC 61000-4-2 (ESD) | 4 kV contact / 8kV air |
| IEC 61000-4-4 (Burst) | 2kV / 5kHz |
| IEC 61000-4-6 (RF conducted) | 3V 150kHz...80MHz |
| Ferrite's protection thanks to an integrated shock absorber plate | |
| Protection degree | IP67 |

Materials :

| | |
|--------------|----------------------|
| Housing | PA |
| Connector | Brass, nickel-plated |
| Sensing face | PA |

Status indication :

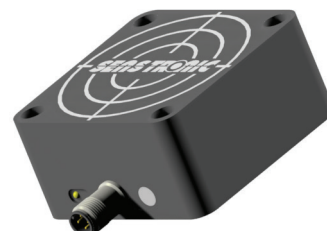
| | |
|--------|------------|
| Output | Yellow LED |
|--------|------------|

Connection :

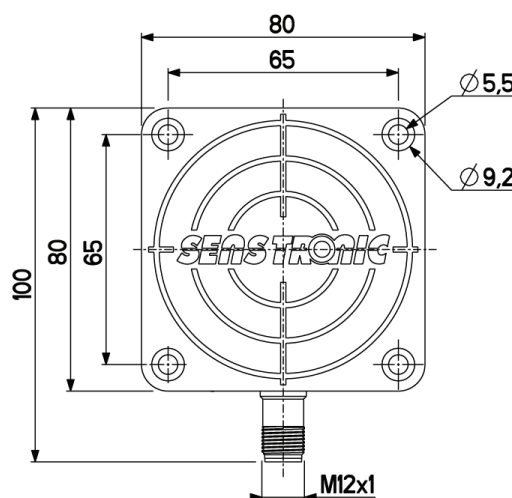
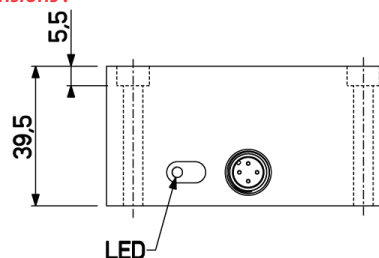
| | |
|-----------|-----|
| Connector | M12 |
|-----------|-----|

SAA00C9036391912A

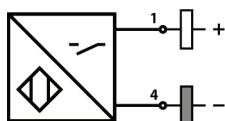
Q80



Dimensions :



Connection diagram :



Pin assignment :

