

Technical data :

Rated voltage	60 V AC/DC
Rated current	4 A
Insulation resistance	> 1000 MΩ
Ambient temperature range	-40...90 °C

Protection :

Protection degree	IP67
-------------------	------

T connector (1 x M12 male + 2 x M12 female) :

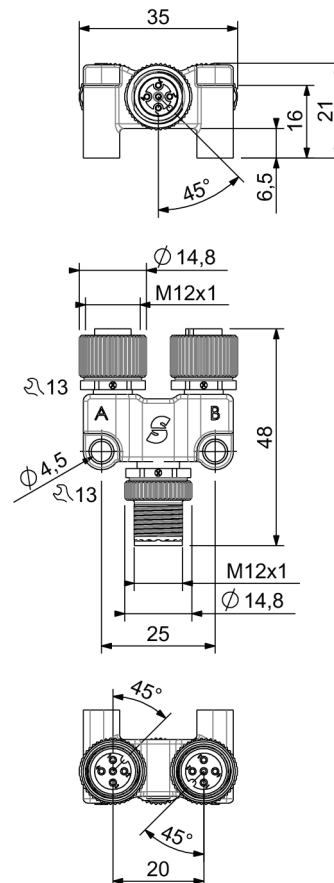
Locking nut/screw material	Zamak, nickel-plated
Overmoulding material	Halogen free TPU, UL94V0
Contact diameter	Ø1 mm
Contact material	CuZn, pre-plated with nickel and gold-plated
Contact resistance	< 5 mΩ
Connector silicon free and LABS free according to PV 3.10.7	

S12/5MLLDT4R

Suitable for welding application



Dimensions :



Wiring diagram :

