

Technical data :

Rated voltage	48 V AC/DC
Rated current	4 A
Insulation resistance	> 1000 MΩ
Ambient temperature range	-25...70 °C

Protection :

Protection degree	IP67
-------------------	------

M12 angled female connector :

Locking nut/screw material	Zamak, nickel-plated
Overmoulding material	TPU, self-extinguishing
Contact diameter	Ø1 mm
Contact material	CuZn, pre-plated with nickel and gold-plated
Contact resistance	< 5 mΩ

Cable characteristics :

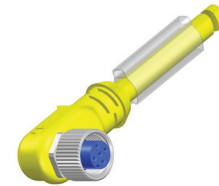
Sheath material	Halogen free PUR
Wire structure	5 x 0,34 mm ²
Conductor class	6
Sheath diameter	6,9 mm
Cable construction according to UL-AWM Style 20233/10493	
Halogen free cable according to DIN VDE 0472 Part 815	
Cable silicone free and LABS free according to PV 3.10.7	
Flame resistance according to	UL FT1
Oil resistance according to	UL 758
Drag chain suitable	
Minimum static bending radius : 5 x Ø	
Minimum dynamic bending radius : 10 x Ø	
Resistant to weld splatters	

Cable length :

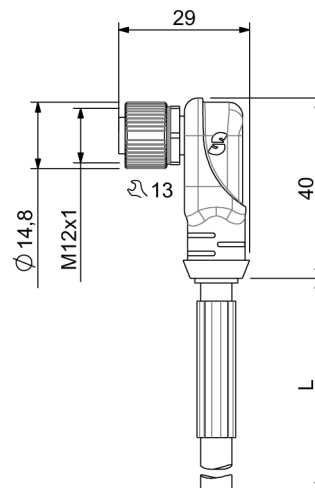
L length	20 m
Other length	On request

Accessories (included) :

1 label holder



Dimensions :



Wiring diagram :

