

Technical data :

| | |
|---------------------------|-------------|
| Rated voltage | 48 V AC/DC |
| Rated current | 4 A |
| Insulation resistance | > 1000 MΩ |
| Ambient temperature range | -25...70 °C |

Protection :

| | |
|-------------------|------|
| Protection degree | IP67 |
|-------------------|------|

M12 angled female connector :

| | |
|----------------------------|--|
| Locking nut/screw material | Zamak, nickel-plated |
| Overmoulding material | TPU, self-extinguishing |
| Contact diameter | Ø1 mm |
| Contact material | CuZn, pre-plated with nickel and gold-plated |
| Contact resistance | < 5 mΩ |

Cable characteristics :

| | |
|--|--------------------------|
| Sheath material | Halogen free PUR |
| Wire structure | 4 x 0,34 mm ² |
| Conductor class | 6 |
| Sheath diameter | 5,3 mm |
| Cable construction according to UL-AWM Style 20549/10493 | |
| Halogen free cable according to DIN VDE 0472 Part 815 | |
| Cable silicone free and LABS free according to PV 3.10.7 | |
| Flame resistance according to | UL FT2 |
| Oil resistance according to | UL 758 |
| Admissible torsion | +/- 360 °/ m |
| Drag chain suitable | |
| Minimum static bending radius : 5 x Ø | |
| Minimum dynamic bending radius : 10 x Ø | |
| Resistant to weld splatters | |

Cable length :

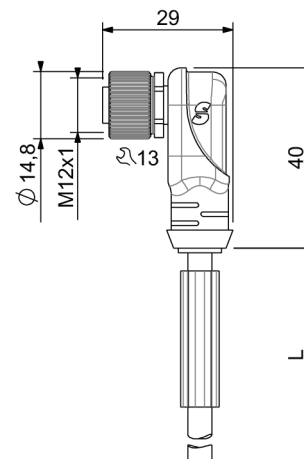
| | |
|--------------|------------|
| L length | 2 m |
| Other length | On request |

Accessories (included) :

1 label holder



Dimensions :



Wiring diagram :

