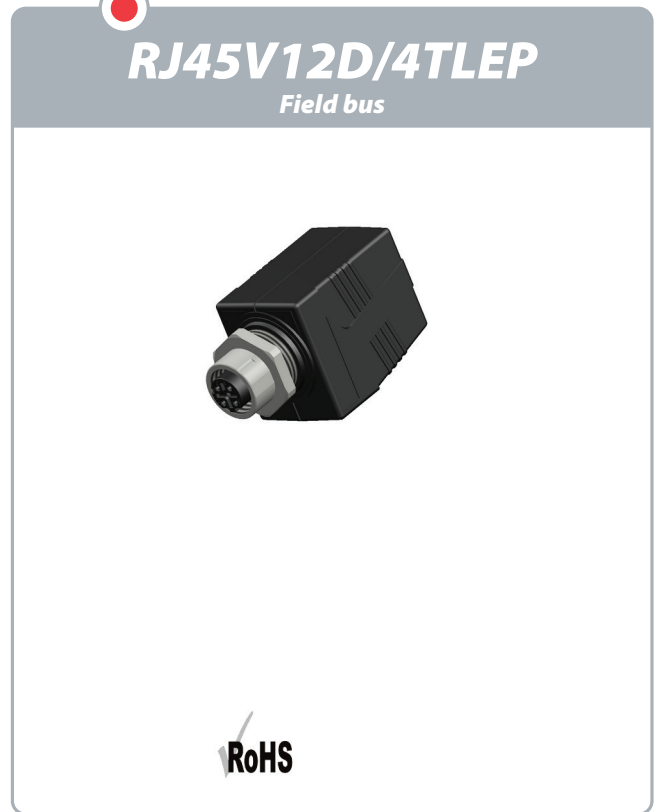
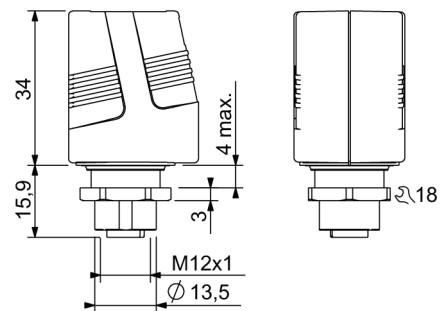


Technical data :	
Rated voltage	24 V DC
Rated current	500 mA
Ambient temperature range	-25...70 °C
Protection :	
Protection degree	IP67 / IP20 (RJ45)
M12 / RJ45 Bulkhead connector :	
Mounting type	Internal screwing
Receptacle material	CuZn, nickel-plated
Hood material	PA
PROFINET CAT5 (100Mbit/s)	
Accessories (included) :	
1 PG9 nut, nickel plated	



Dimensions :



Wiring diagram :

