

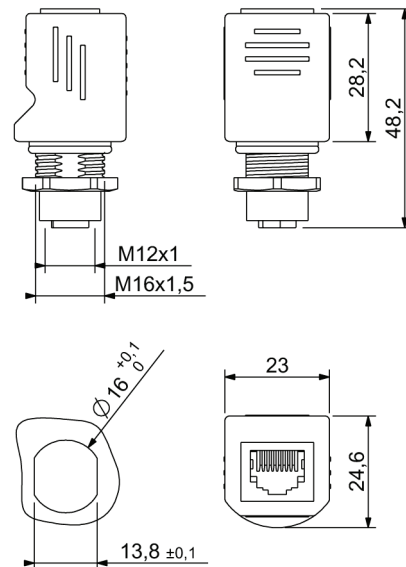
Technical data :	
Rated voltage	24 V DC
Rated current	500 mA
Ambient temperature range	0..70 °C
Protection :	
Protection degree	IP67 / IP20 (RJ45)
M12 / RJ45 Bulkhead connector :	
Mounting type	Internal screwing
Receptacle material	CuZn, nickel-plated
Hood material	PA
100Ω Integrated connector resistors	
Accessories (included) :	
1 M16x1,5 nut, nickel-plated brass	

## RJ45V12D/4TLEP100

Field bus



**Dimensions :**



**Wiring diagram :**

