

Technical data :

Rated voltage	24 V DC
Rated current	500 mA
Ambient temperature range	-25...70 °C

Protection :

Protection degree	IP67 / IP20 (RJ45)
-------------------	--------------------

M12 / RJ45 Bulkhead connector :

Mounting type	Internal screwing
Receptacle material	CuZn, nickel-plated
Hood material	PA
PROFINET CAT5 (100Mbit/s)	

Accessories (included) :

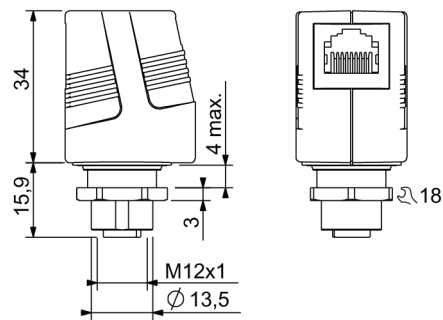
1 PG9 nut, nickel plated

RJ45V12D/4TCEP

Field bus



Dimensions :



Wiring diagram :

