

Technical data :

Rated voltage	24 V DC
Rated current	500 mA
Ambient temperature range	-5...60 °C

Protection :

Protection degree	IP67 / IP20 (RJ45)
-------------------	--------------------

M12 female receptacle :

Mounting type	Internal screwing
Receptacle material	CuZn, nickel-plated
Contact diameter	Ø1 mm
Contact material	CuZn, pre-plated with nickel and gold-plated
Contact resistance	< 5 mΩ
Peripheral shielding connected to locking nut/screw	

Connector (RJ45) :

Contact material	Copper alloy, gold-plated contact area
Contact resistance	< 230 mΩ

Shielded cable characteristics :

Type of cable	ETHERNET CAT.5e (10-100 Mbit/s)
Suitable for EtherCAT and EtherNet/IP applications	
Sheath material	Halogen free PUR
Wire structure	2 x 2 x AWG26 (0,14 mm ²)
Conductor class	7 x 0,16 mm
Sheath diameter	5,6 mm
Conductor resistance	< 285 Ω/km (loop)
Characteristic impedance	100 Ω (1-100 MHz)
Insulation resistance	5 GΩ*km
Tin-plated copper braided shielding + Aluminium fleece covering rate: 85%	
Flame resistance according to	IEC 60332-1 (VDE 0472-804/B)
Oil resistance according to	Good mineral oil resistance

Cable length :

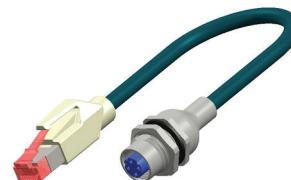
L length	0,5 m
Other length	On request

Accessories (included) :

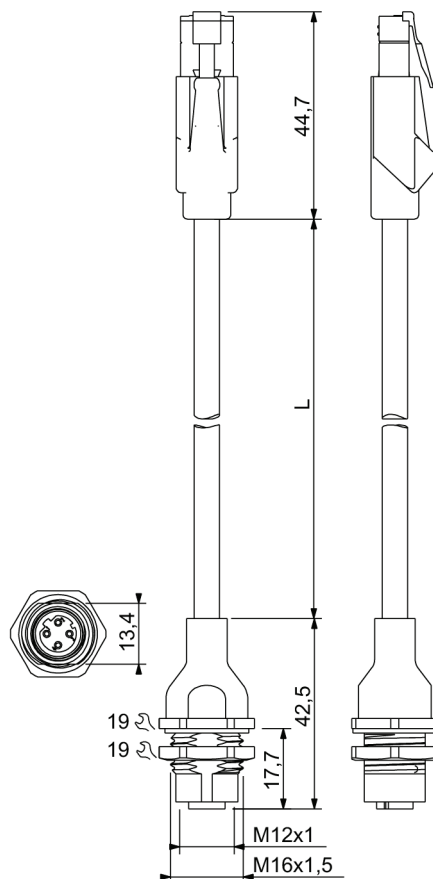
1 M16x1,5 nut, nickel-plated brass

RJ45V12D/4MLE0052

Field bus



Dimensions :



Wiring diagram :

