

**Technical data :**

Rated voltage	24 V DC
Rated current	500 mA
Ambient temperature range	-5...60 °C

**Protection :**

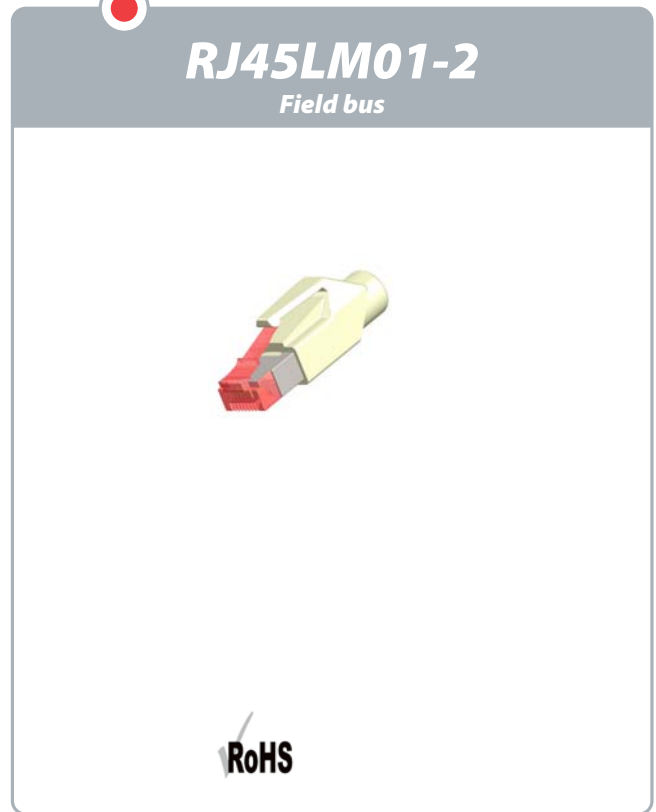
Protection degree	IP20
-------------------	------

**Connector (RJ45) :**

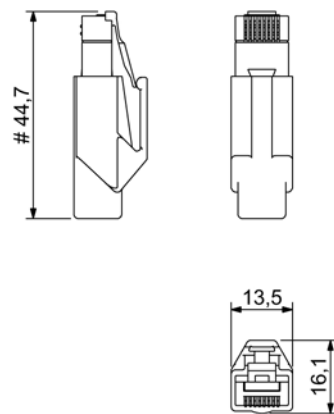
Contact material	Copper alloy, gold-plated contact area
Contact resistance	< 230 mΩ
Connection type	AWG26/7
Hood material	Plastic
ETHERNET CAT.6 / CAT.5e	

**Accessories (not included) :**

- YP4 : Hand crimping tool
- 4AWG26PUR2 : Fast Ethernet CAT.5e 2x2xAWG26 PUR cable



**Dimensions :**



**Pin assignment :**

