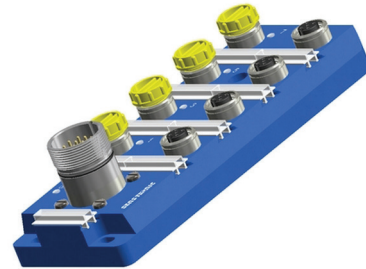


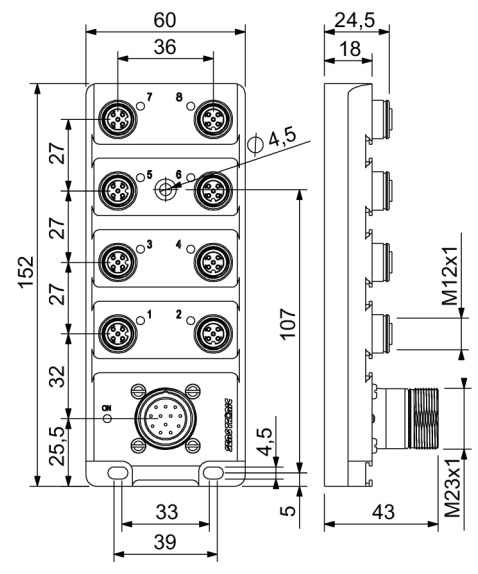
Technical data :	
Operating voltage	10...55 V DC
Nominal current per signal	4 A
Total current	8 A
Insulation resistance	> 100 MΩ
Ambient temperature range	-25...70 °C
Protection :	
Protection degree	IP67
Status indication :	
Power	Green LED
Signal (4)	Yellow LED
Materials :	
Housing	Anodized aluminium
Potting	PUR (UL94-V0 self-extinguishing)
M12 female receptacle :	
Receptacle material	CuZn, nickel-plated
Contact diameter	5 x Ø1 mm
Contact material	CuZn, pre-plated with nickel and gold-plated
Contact resistance	< 5 mΩ
M23 male receptacle :	
Receptacle material	Zamak, nickel-plated
Contact diameter	Ø1 mm
Contact material	CuZn, pre-plated with nickel and gold-plated
Contact resistance	< 5 mΩ
Accessories (included) :	
9 label holders (KM6/27)	
4 plugs (OBTM12)	

REP8SES23L

Industrial automation



Dimensions :



Wiring diagram :

