

Technical data :

Operating voltage	10...55 V DC
Nominal current per signal	4 A
Total current	12 A
Insulation resistance	> 100 MΩ
Ambient temperature range	-25...70 °C

Protection :

Protection degree	IP67
-------------------	------

Status indication :

Power	Green LED
Signal (4)	Yellow LED

Materials :

Housing	Anodized aluminium
Potting	PUR (UL94-V0 self-extinguishing)

M12 female receptacle :

Receptacle material	CuZn, nickel-plated
Contact diameter	5 x Ø1 mm
Contact material	CuZn, pre-plated with nickel and gold-plated
Contact resistance	< 5 mΩ

M23 male receptacle :

Receptacle material	Zamak, nickel-plated
Contact diameter	16 x Ø1 mm + 3 x Ø1,5 mm
Contact material	CuZn, pre-plated with nickel and gold-plated
Contact resistance	< 5 mΩ
Ground contact (N°12) connected to metal body of connector	

Terminal block (13 positions) :

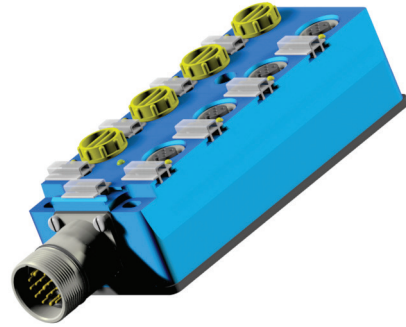
Contact material	Tin-plated copper alloy
Connection type	Spring connection (0,08...0,50 mm ²)

Accessories (included) :

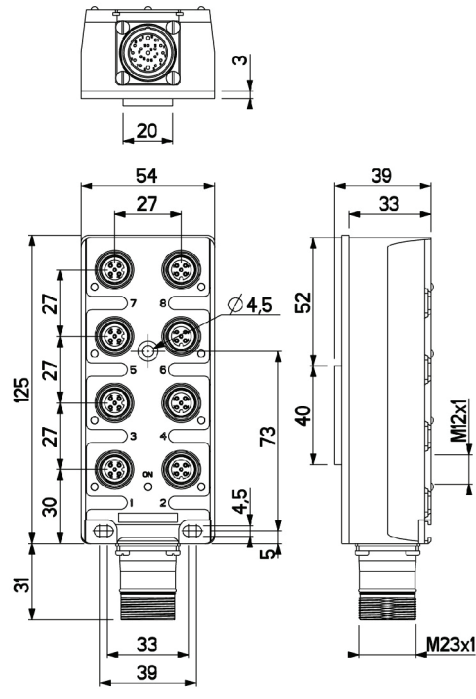
- 9 label holders (EMR)
- 4 plugs (OBTM12)
- 1 flat seal (NBR)

REP8DES23WC1

Industrial automation



Dimensions :



Wiring diagram :

