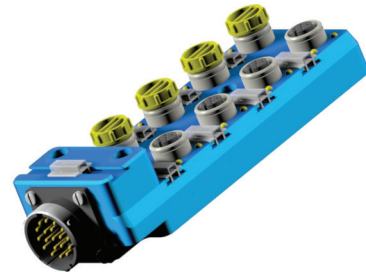


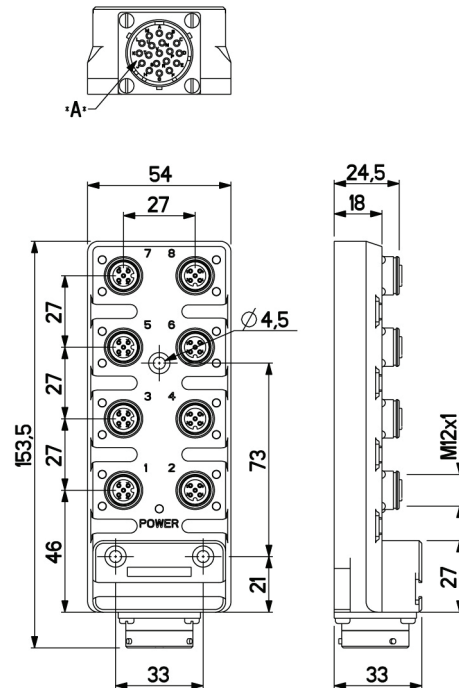
Technical data :	
Operating voltage	10...55 V DC
Nominal current per signal	4 A
Total current	12 A
Insulation resistance	> 100 MΩ
Ambient temperature range	-25...70 °C
Protection :	
Protection degree	IP67
Status indication :	
Power	Green LED
Signal (2)	Yellow LED
Signal (4)	Yellow LED
Materials :	
Housing	Anodized aluminium
Potting	PUR (UL94-V0 self-extinguishing)
M12 female receptacle :	
Receptacle material	CuZn, nickel-plated
Contact diameter	5 x Ø1 mm
Contact material	CuZn, pre-plated with nickel and gold-plated
Contact resistance	< 5 mΩ
Male receptacle (Burndy) :	
Receptacle material	Fiberglass reinforced thermoplastic (UL94-V0)
Contact diameter	19 x Ø1,57 mm
Contact material	Gold-plated contacts
Accessories (included) :	
9 label holders (EMR)	
4 plugs (OBTM12)	

REP8DES23B

Industrial automation



Dimensions :



Wiring diagram :

