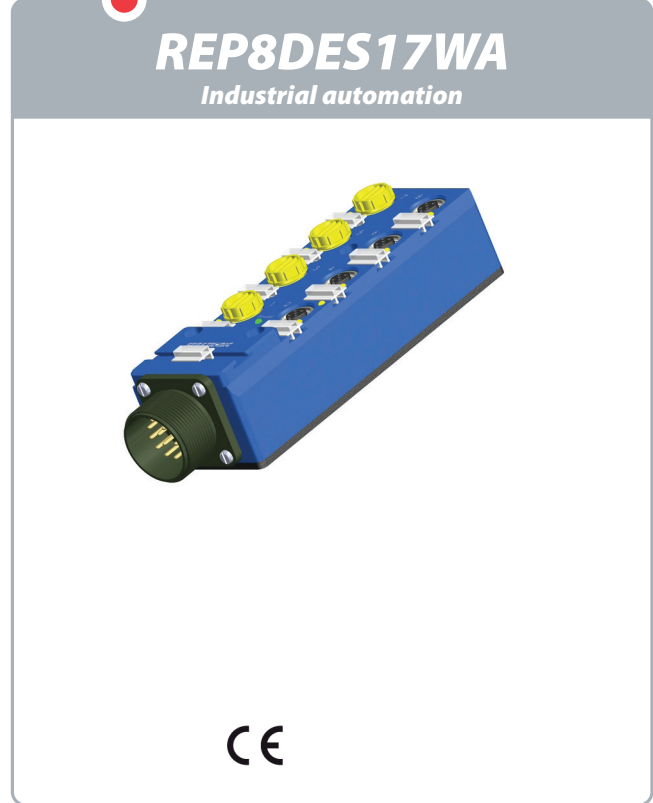
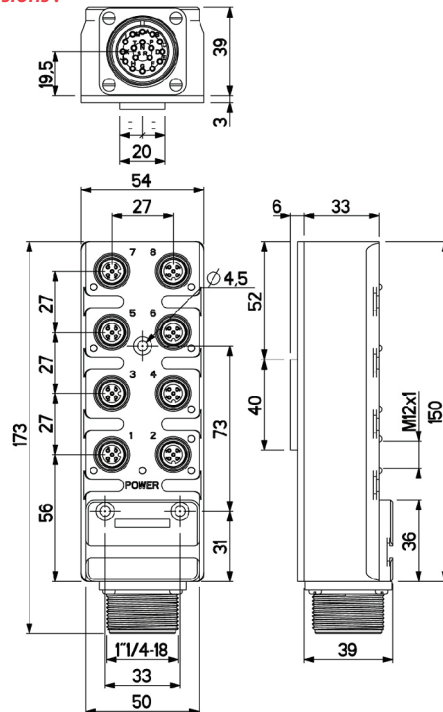


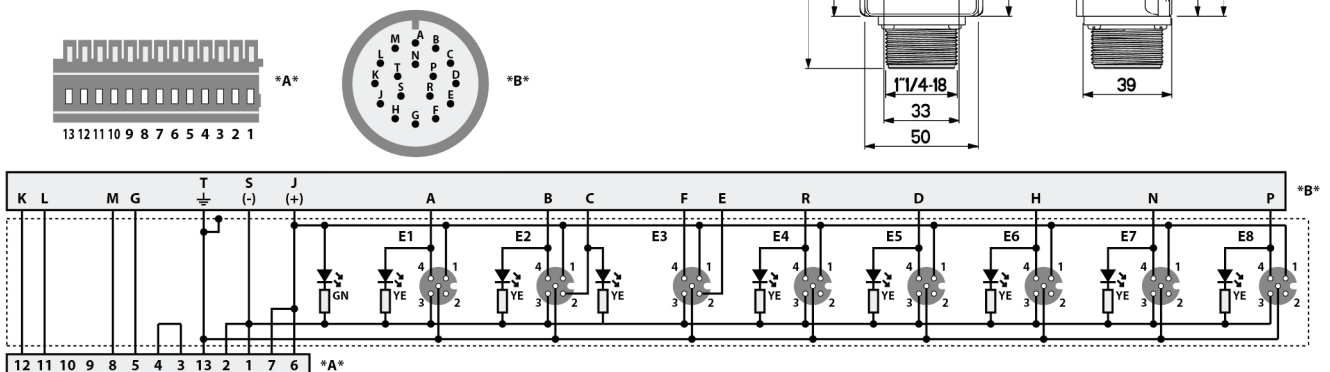
Technical data :	
Operating voltage	10...55 V DC
Nominal current per signal	2 A / 4 A (power supply)
Total current	12 A
Insulation resistance	> 100 MΩ
Ambient temperature range	-25...70 °C
Protection :	
Protection degree	IP67
Status indication :	
Power	Green LED
Signal (4)	Yellow LED
Materials :	
Housing	Anodized aluminium
Potting	PUR (UL94-V0 self-extinguishing)
M12 female receptacle :	
Receptacle material	CuZn, nickel-plated
Contact diameter	5 x Ø1 mm
Contact material	CuZn, pre-plated with nickel and gold-plated
Contact resistance	< 5 mΩ
AMPHENOL male receptacle :	
Receptacle material	Aluminium alloy
Contact diameter	17 x Ø1 mm
Contact material	Silver-plated contacts
Contact resistance	< 5 mΩ
Terminal block (13 positions) :	
Contact material	Tin-plated copper alloy
Connection type	Spring connection (0,08...0,50 mm ²)
Accessories (included) :	
9 label holders (EMR)	
4 plugs (OBTM12)	
1 flat seal (NBR)	



Dimensions :



Wiring diagram :



For uses in particularly harsh environments: Please enquire

We reserve the right to modify all or part of characteristics of our products without warning.

Printed on:

22 juil. 2019