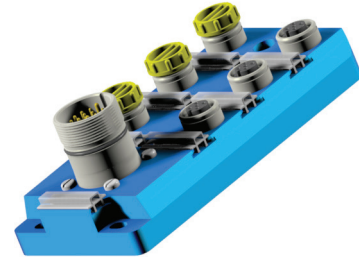


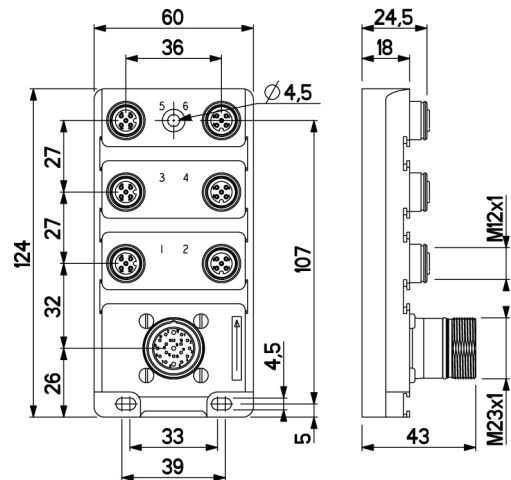
Technical data :	
Operating voltage	10...55 V DC
Nominal current per signal	4 A
Total current	12 A
Insulation resistance	> 100 MΩ
Ambient temperature range	-25...70 °C
Protection :	
Protection degree	IP67
Materials :	
Housing	Anodized aluminium
Potting	PUR (UL94-V0 self-extinguishing)
M12 female receptacle :	
Receptacle material	CuZn, nickel-plated
Contact diameter	5 x Ø1 mm
Contact material	CuZn, pre-plated with nickel and gold-plated
Contact resistance	< 5 mΩ
M23 male receptacle :	
Receptacle material	Zamak, nickel-plated
Contact diameter	16 x Ø1 mm + 3 x Ø1,5 mm
Contact material	CuZn, pre-plated with nickel and gold-plated
Contact resistance	< 5 mΩ
Ground contact (N°12) connected to metal body of connector	
Accessories (included) :	
7 label holders (KM6/27)	
3 plugs (OBTM12)	

REP6DES23

Industrial automation



Dimensions :



Wiring diagram :

