

Technical data :	
Operating voltage	10...30V DC
Nominal current per signal	2 A
Total current	12 A
Insulation resistance	> 100 MΩ
Type of LED compatibility	PNP
Consumption LED	< 5 mA
Ambient temperature range	-25...70 °C

Protection :	
Protection degree	IP67

Status indication :	
Power	Green LED
Signal (2)	Yellow LED
Signal (4)	Yellow LED

Materials :	
Housing	Anodized aluminium
Potting	PUR (UL94-V0 self-extinguishing)

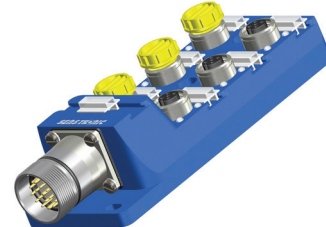
M12 female receptacle :	
Receptacle material	CuZn, nickel-plated
Contact diameter	5 x Ø1 mm
Contact material	CuZn, pre-plated with nickel and gold-plated
Contact resistance	< 5 mΩ

M23 male receptacle :	
Receptacle material	CuZn, nickel-plated
Contact diameter	16 x Ø1 mm + 3 x Ø1,5 mm
Contact material	CuZn, pre-plated with nickel and gold-plated
Contact resistance	< 5 mΩ
Ground contact (N°12) connected to metal body of connector	

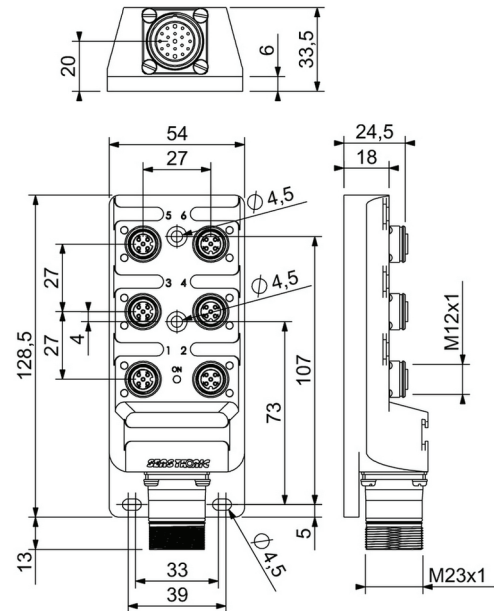
Accessories (included) :	
7 label holders (EMR)	
3 plugs (OBTM12)	

## REP6DES23LC

Industrial automation



Dimensions :



Wiring diagram :

