

#### Technical data :

Operating voltage	10...55 V DC (10...30 V DC for encoding part)
Nominal current per signal	4 A
Total current	4 A
Ambient temperature range	-25...70 °C

#### Protection :

Protection degree	IP67 / IP65 ("série 28")
-------------------	--------------------------

#### Materials :

Housing	Anodized aluminium
Potting	PUR (UL94-V0 self-extinguishing)

#### M12 female receptacle :

Receptacle material	CuZn, nickel-plated
Contact diameter	5 x Ø1 mm
Contact material	CuZn, pre-plated with nickel and gold-plated
Contact resistance	< 5 mΩ

#### M12 female receptacle \*A\* :

Receptacle material	CuZn, nickel-plated
Contact diameter	8 x Ø0,8 mm
Contact material	CuZn, pre-plated with nickel and gold-plated
Contact resistance	< 5 mΩ

#### Place to mount SHUNTCODP (encoding)

#### Male receptacle ("series 28") \*C\* :

Receptacle material	CuZn, nickel-plated
Contact diameter	19 x Ø1 mm
Contact material	CuZn, pre-plated with nickel and gold-plated
Contact resistance	< 5 mΩ

#### Contact arrangement according to UTE C93-422-L2

#### Cable characteristics :

Sheath material	Halogen free PUR
Wire structure	3 G 1 mm <sup>2</sup> + 8 x 0,34 mm <sup>2</sup>
Conductor class	6
Sheath diameter	8,7 mm
Flame resistance according to	IEC 60332-1 (VDE 0472-804/B)
Oil resistance according to	EN 50363 & IEC 60811-2-1 & CNOMO

#### Cable length :

L standard lengths	0,5 m / 1 m / 2 m / 5 m
Other length	On request
Reference : replace «...» by length required: 005 / 01 / 02 / 05	

#### Accessories (included) :

7 label holders (KM6/27)
3 plugs (OBTM12)

#### Accessories (not included) :

Coding plug (SHUNTCODP)
-------------------------

#### Remarks :

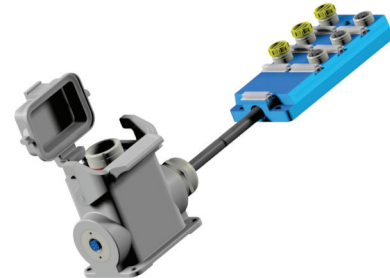
\*B\* : Visual identification (red marking)

#### Wiring diagram :

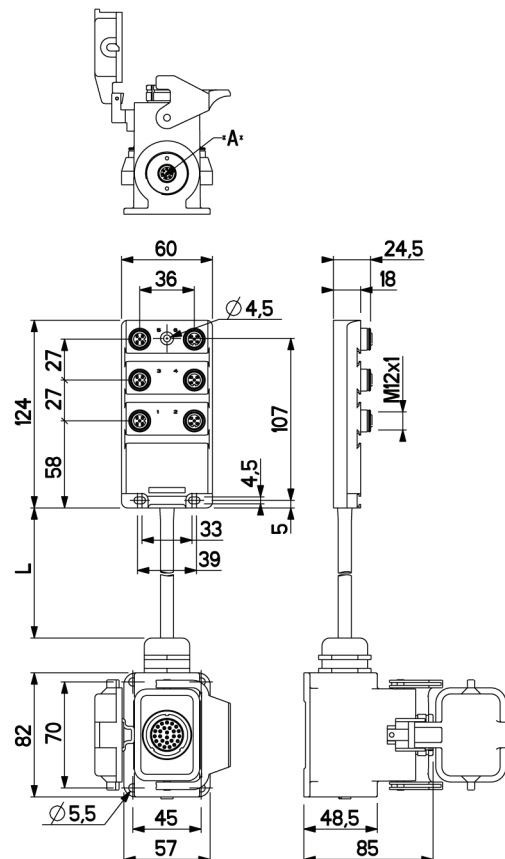
See following page

## REP65/5...5SC28

Press tools



#### Dimensions :



**Wiring diagram :**

