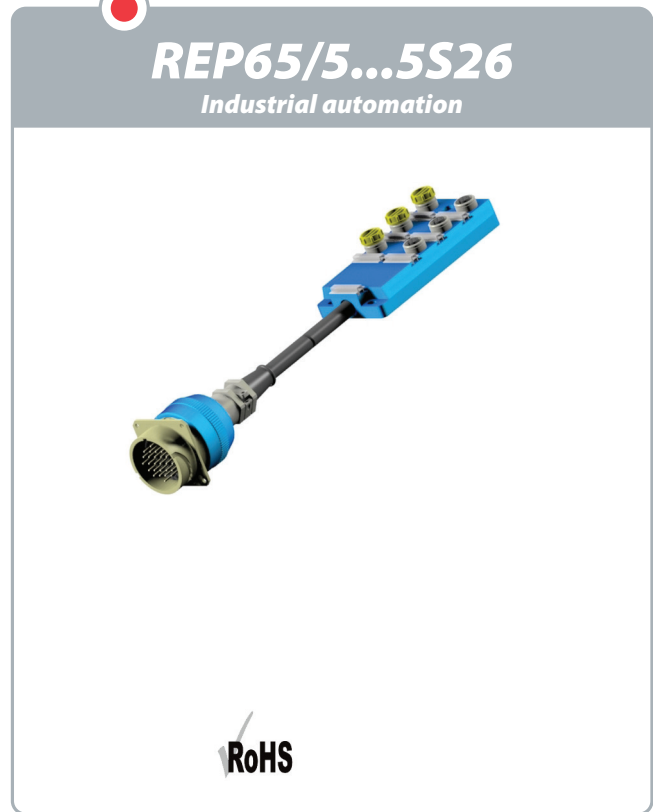
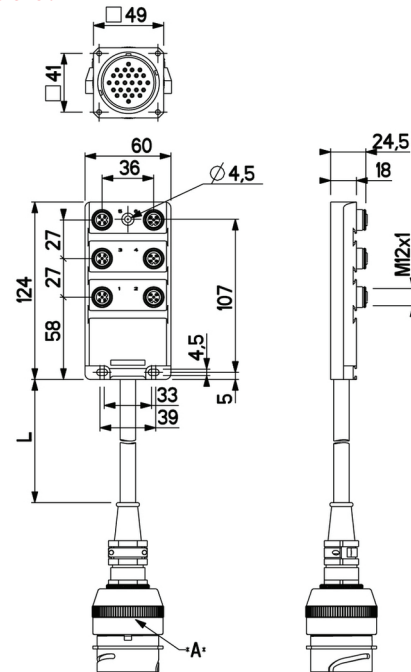


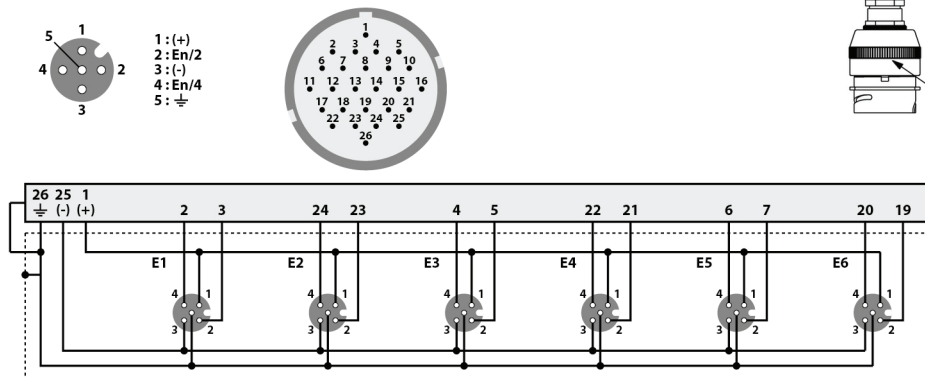
|  |   |
|--|---|
| <b>Technical data :</b>                                      |   |
| Operating voltage  | 10...55 V DC                                      |
| Nominal current per signal                                   | 4 A   |
| Total current  | 12 A  |
| Insulation resistance  | > 100 MΩ  |
| Ambient temperature range                                    | -25...70 °C                                       |
| <b>Protection :</b>  |   |
| Protection degree  | IP67 / IP65 (Souriau)                             |
| <b>Materials :</b>   |   |
| Housing  | Anodized aluminium                                |
| Potting  | PUR (UL94-V0 self-extinguishing)                  |
| <b>M12 female receptacle :</b>                               |   |
| Receptacle material  | CuZn, nickel-plated                               |
| Contact diameter   | 5 x Ø1 mm   |
| Contact material   | CuZn, pre-plated with nickel and gold-plated      |
| Contact resistance   | < 5 mΩ  |
| <b>Male receptacle (Souriau) :</b>                           |   |
| Receptacle material  | Aluminium   |
| Contact diameter   | 26 x Ø1,5 mm                                      |
| Contact material   | Copper alloy, silver-plated                       |
| Contact resistance   | < 2,5 mΩ  |
| <b>Cable characteristics :</b>                               |   |
| Sheath material  | Halogen free PUR                                  |
| Wire structure   | 3 G 1 mm <sup>2</sup> + 16 x 0,34 mm <sup>2</sup> |
| Conductor class  | 6   |
| Sheath diameter  | 10,9 mm   |
| Flame resistance according to                                | IEC 60332-1 (VDE 0472-804/B)                      |
| Oil resistance according to                                  | EN 50363 & IEC 60811-2-1 & CNOMO                  |
| <b>Cable length :</b>  |   |
| L standard lengths   | 0,2 m / 0,5 m / 1 m                               |
| Other length   | On request  |
| Reference : replace «...» by length required: 002 / 005 / 01 |   |
| <b>Accessories (included) :</b>                              |   |
| 7 label holders (KM6/27)                                     |   |
| 3 plugs (OBTM12)   |   |



**Dimensions :**



**Wiring diagram :**



For uses in particularly harsh environments: Please enquire

We reserve the right to modify all or part of characteristics of our products without warning.