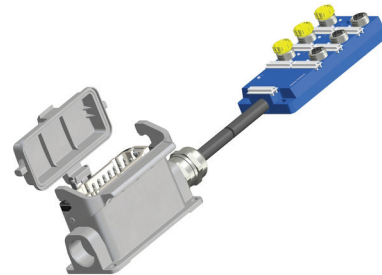


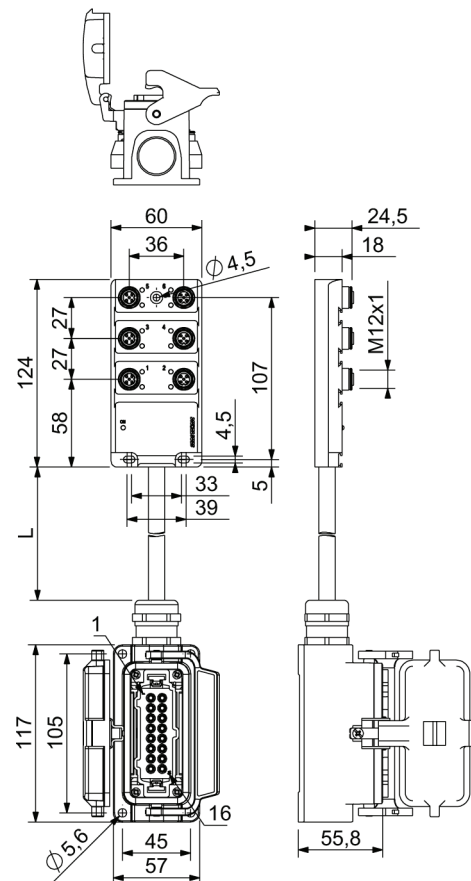
Technical data :	
Operating voltage	10...48 V DC
Nominal current per signal	4 A
Total current	12 A
Insulation resistance	> 1000 MΩ
Ambient temperature range	-25...70 °C
Protection :	
Protection degree	Mixte IP67 / IP65 (Harting)
Status indication :	
Power	Green LED
Signal (2)	Yellow LED
Signal (4)	Yellow LED
Materials :	
Housing	Anodized aluminium
Potting	PUR (UL94-V0 self-extinguishing)
M12 female receptacle :	
Receptacle material	CuZn, nickel-plated
Contact diameter	5 x Ø1 mm
Contact material	CuZn, pre-plated with nickel and gold-plated
Contact resistance	< 5 mΩ
Connector (Harting HAN16ES Type) :	
Receptacle material	Metal
Contact diameter	16 x Ø2,5 mm
Contact material	Silver-plated
Cable characteristics :	
Sheath material	Halogen free PUR
Wire structure	3 G 1 mm ² + 16 x 0,34 mm ²
Conductor class	6
Sheath diameter	10,9 mm
Flame resistance according to	IEC 60332-1 (VDE 0472-804/B)
Oil resistance according to	EN 50363 & IEC 60811-2-1 & CNOMO
Cable length :	
L length	0,5 m
Other length	On request
Accessories (included) :	
7 label holders (KM6/27)	
3 plugs (OBTM12)	

REP65/50055LH16S1

Industrial automation



Dimensions :



Wiring diagram :

See following page

Wiring diagram :

