

Technical data :

Operating voltage	10...55 V DC (10...30 V DC for encoding part)
Nominal current per signal	4 A
Total current	12 A
Ambient temperature range	-25...70 °C

Protection :

Protection degree	IP67 / IP65 (Harting)
-------------------	-----------------------

Materials :

Housing	Anodized aluminium
Potting	PUR (UL94-V0 self-extinguishing)

M12 female receptacle :

Receptacle material	CuZn, nickel-plated
Contact diameter	5 x Ø1 mm
Contact material	CuZn, pre-plated with nickel and gold-plated
Contact resistance	< 5 mΩ

M12 female receptacle (*A* view detail) :

Receptacle material	CuZn, nickel-plated
Contact diameter	8 x Ø0,8 mm
Contact material	CuZn, pre-plated with nickel and gold-plated
Contact resistance	< 5 mΩ

Place to mount SHUNTCODP (encoding) :

Connector (Harting HAN24 Type) :

Receptacle material	Metal
Contact diameter	16 x Ø1,6 mm
Contact material	Silver-plated
Hood material	Metal

Cable characteristics :

Sheath material	Halogen free PUR
Wire structure	3 G 1 mm ² + 8 x 0,34 mm ²
Conductor class	6
Sheath diameter	8,7 mm
Flame resistance according to	IEC 60332-1 (VDE 0472-804/B)
Oil resistance according to	EN 50363 & IEC 60811-2-1 & CNOMO

Cable length :

L length	0,5 m
Other length	On request

Accessories (included) :

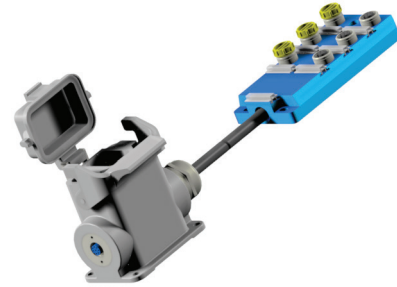
- 7 label holders (KM6/27)
- 3 plugs (OBTM12)

Accessories (not included) :

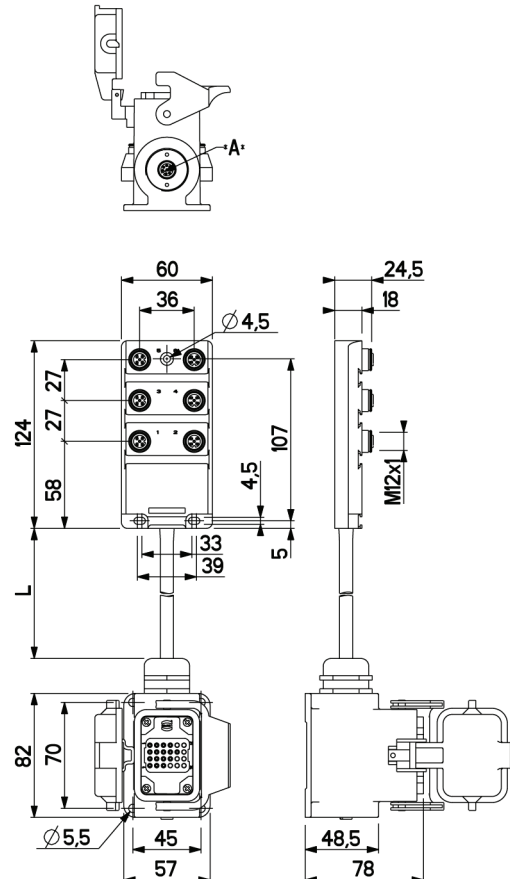
- Coding plug (SHUNTCODP)

REP65/50055H24

Press tools



Dimensions :



Wiring diagram :

See following page

Wiring diagram :

