

Technical data :

Operating voltage	10...55 V DC (10...30 V DC for encoding part)
Nominal current per signal	4 A
Total current	4 A
Ambient temperature range	-25...70 °C

Protection :

Protection degree	IP67 / IP65 ("série 28")
-------------------	--------------------------

Materials :

Housing	Anodized aluminium
Potting	PUR (UL94-V0 self-extinguishing)

M12 female receptacle :

Receptacle material	CuZn, nickel-plated
Contact diameter	5 x Ø1 mm
Contact material	CuZn, pre-plated with nickel and gold-plated
Contact resistance	< 5 mΩ

Male receptacle N°1(*A*), N°2(*B*) ("series 28") :

Mounting type	External screwing
Receptacle material	CuZn, nickel-plated
Contact diameter	Ø1 mm
Contact material	CuZn, pre-plated with nickel and gold-plated
Contact resistance	< 5 mΩ
Contact arrangement according to	UTE C93-422-L2

M12 female connector, 8-poles (No. 1 & Np. 2: *C* and *D* details) :

Receptacle material	CuZn, nickel-plated
Contact diameter	8 x Ø0,8 mm
Contact material	CuZn, pre-plated with nickel and gold-plated
Contact resistance	< 5 mΩ
Tool coding:	place to mount SHUNTCODP

Cable characteristics :

Sheath material	Halogen free PUR
Wire structure	3 G 1 mm ² + 8 x 0,34 mm ²
Conductor class	6
Sheath diameter	8,7 mm
Flame resistance according to	IEC 60332-1 (VDE 0472-804/B)
Oil resistance according to	EN 50363 & IEC 60811-2-1 & CNOMO

Cable length :

L1 length	0,5 m
L2 length	0,2 m
L1 and L2 on request	On request

Accessories (included) :

- 7 label holders (KM6/27)
- 3 plugs (OBTM12)

Accessories (not included) :

- Coding plug (SHUNTCODP)

Remarks :

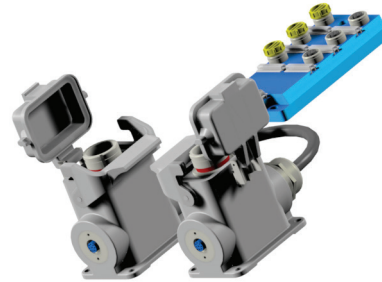
E : Visual identification (red marking)

Wiring diagram :

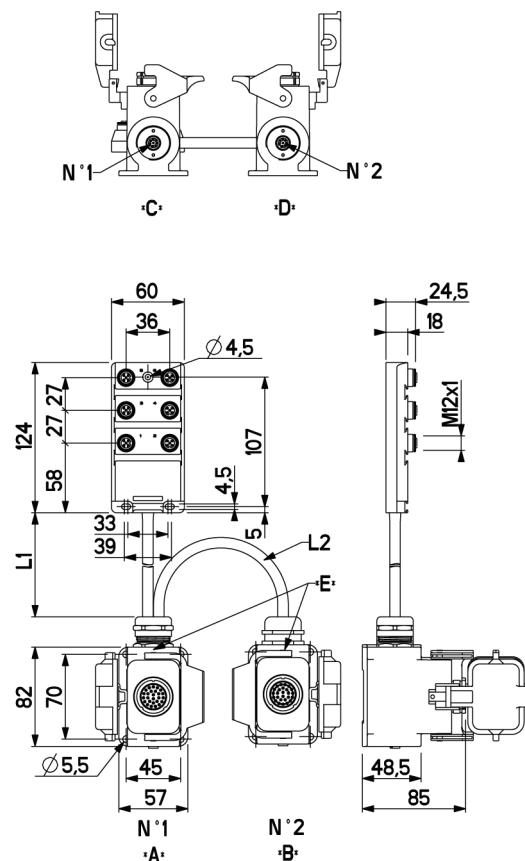
See following page

REP65/50055DSC28

Press tools



Dimensions :



Wiring diagram :

