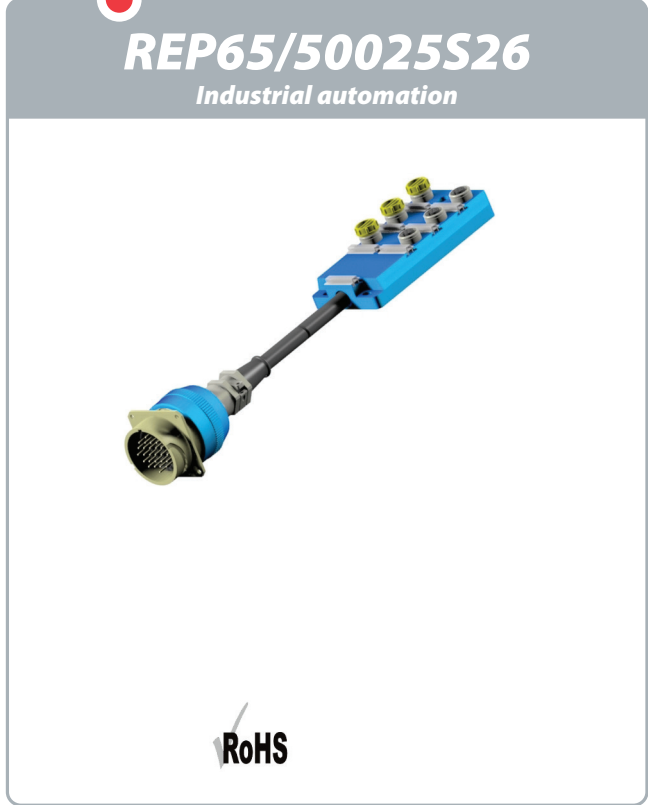
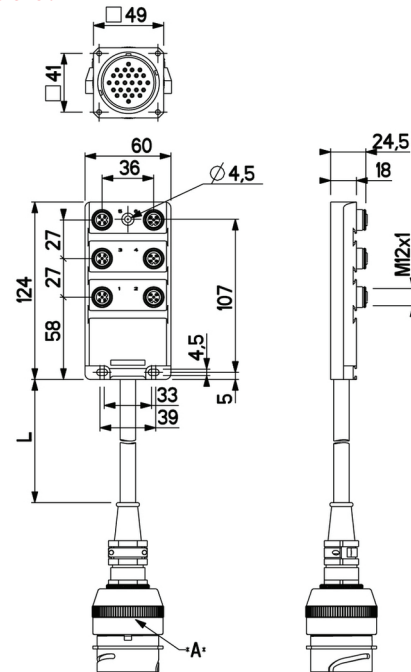


<b>Technical data :</b>	
Operating voltage	10...55 V DC
Nominal current per signal	4 A
Total current	12 A
Insulation resistance	> 100 MΩ
Ambient temperature range	-25...70 °C
<b>Protection :</b>	
Protection degree	IP67 / IP65 (Souriau)
<b>Materials :</b>	
Housing	Anodized aluminium
Potting	PUR (UL94-V0 self-extinguishing)
<b>M12 female receptacle :</b>	
Receptacle material	CuZn, nickel-plated
Contact diameter	5 x Ø1 mm
Contact material	CuZn, pre-plated with nickel and gold-plated
Contact resistance	< 5 mΩ
<b>Male receptacle (Souriau) :</b>	
Receptacle material	Aluminium
Contact diameter	26 x Ø1,5 mm
Contact material	Copper alloy, silver-plated
Contact resistance	< 2,5 mΩ
<b>Cable characteristics :</b>	
Sheath material	Halogen free PUR
Wire structure	3 G 1 mm <sup>2</sup> + 16 x 0,34 mm <sup>2</sup>
Conductor class	6
Sheath diameter	10,9 mm
Flame resistance according to	IEC 60332-1 (VDE 0472-804/B)
Oil resistance according to	EN 50363 & IEC 60811-2-1 & CNOMO
<b>Cable length :</b>	
L length	0,2 m
Other length	On request
<b>Accessories (included) :</b>	
7 label holders (KM6/27)	
3 plugs (OBTM12)	



**Dimensions :**



**Wiring diagram :**

