

Technical data :

Operating voltage	10...55 V DC
Nominal current per signal	4 A
Total current	12 A
Insulation resistance	> 100 MΩ
Ambient temperature range	-25...70 °C

Protection :

Protection degree	IP67
-------------------	------

Materials :

Housing	Anodized aluminium
Potting	PUR (UL94-V0 self-extinguishing)

M12 female receptacle :

Receptacle material	CuZn, nickel-plated
Contact diameter	5 x Ø1 mm
Contact material	CuZn, pre-plated with nickel and gold-plated
Contact resistance	< 5 mΩ

M23 male receptacle :

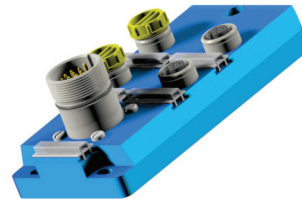
Receptacle material	CuZn, nickel-plated
Contact diameter	16 x Ø1 mm + 3 x Ø1,5 mm
Contact material	CuZn, pre-plated with nickel and gold-plated
Contact resistance	< 5 mΩ
Ground contact (N°12) connected to metal body of connector	

Accessories (included) :

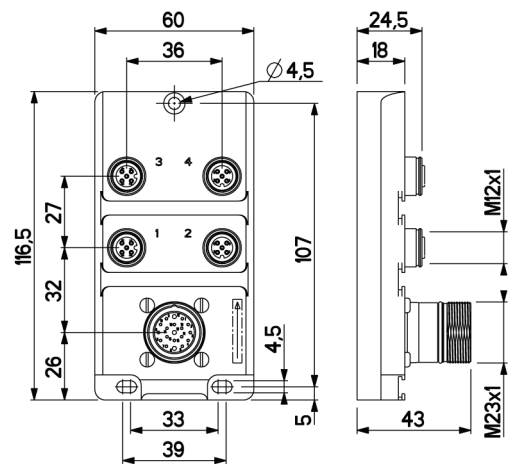
- 5 label holders (KM6/27)
- 2 caps (OBTM12)

REP4DES23

Industrial automation



Dimensions :



Wiring diagram :

