

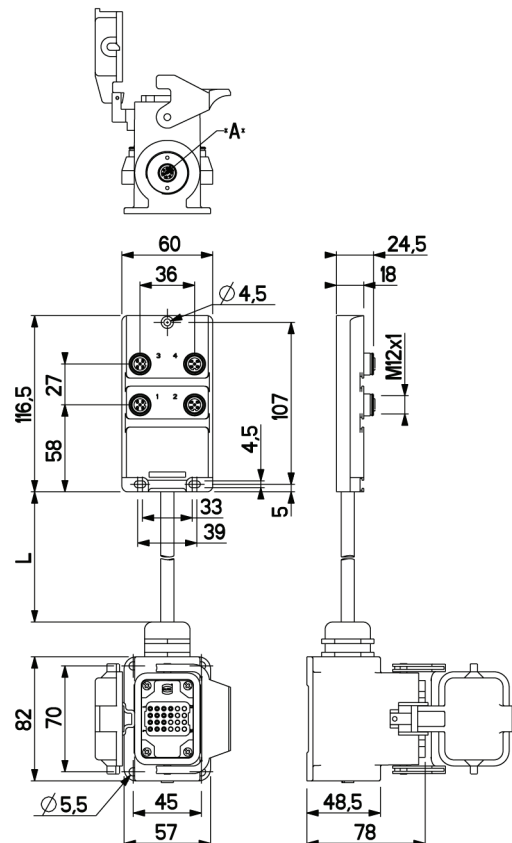
Technical data :	
Operating voltage	10...55 V DC (10...30 V DC for encoding part)
Nominal current per signal	4 A
Total current	12 A
Ambient temperature range	-25...70 °C
Protection :	
Protection degree	IP67 / IP65 (Harting)
Materials :	
Housing	Anodized aluminium
Potting	PUR (UL94-V0 self-extinguishing)
M12 female receptacle :	
Receptacle material	CuZn, nickel-plated
Contact diameter	5 x Ø1 mm
Contact material	CuZn, pre-plated with nickel and gold-plated
Contact resistance	< 5 mΩ
M12 female receptacle (*A* view detail) :	
Receptacle material	CuZn, nickel-plated
Contact diameter	8 x Ø0,8 mm
Contact material	CuZn, pre-plated with nickel and gold-plated
Contact resistance	< 5 mΩ
Place to mount SHUNTCODP (encoding)	
Connector (Harting HAN24 Type) :	
Contact diameter	18 x Ø1,6 mm
Contact material	Silver-plated
Hood material	Metal
Cable characteristics :	
Sheath material	Halogen free PUR
Wire structure	3 G 1 mm ² + 8 x 0,34 mm ²
Conductor class	6
Sheath diameter	8,7 mm
Flame resistance according to	IEC 60332-1 (VDE 0472-804/B)
Oil resistance according to	EN 50363 & IEC 60811-2-1 & CNOMO
Cable length :	
L length	0,5 m
Other length	On request
Accessories (included) :	
5 label holders (KM6/27)	
2 caps (OBTM12)	
Accessories (not included) :	
Coding plug (SHUNTCODP)	

REP45/50055H24P1

Press tools



Dimensions :



Wiring diagram :

See following page

Wiring diagram :

