

Technical data :

Operating voltage	10...55 V DC
Nominal current per signal	4 A
Total current	12 A
Insulation resistance	> 100 MΩ
Ambient temperature range	-25...70 °C

Protection :

Protection degree	IP67
-------------------	------

Materials :

Housing	Anodized aluminium
Potting	PUR (UL94-V0 self-extinguishing)

M12 female receptacle :

Receptacle material	CuZn, nickel-plated
Contact diameter	5 x Ø1 mm
Contact material	CuZn, pre-plated with nickel and gold-plated
Contact resistance	< 5 mΩ

M27 male receptacle :

Receptacle material	CuZn, nickel-plated
Contact diameter	28 x Ø1 mm
Contact material	CuZn, pre-plated with nickel and gold-plated
Contact resistance	< 5 mΩ

Cable characteristics :

Sheath material	PVC
Wire structure	30 G 0,50 mm ²
Conductor class	5
Sheath diameter	14,4 mm
Flame resistance according to	VDE 0482 T 265-2-1
Oil resistance according to	Good oil resistance

Cable length :

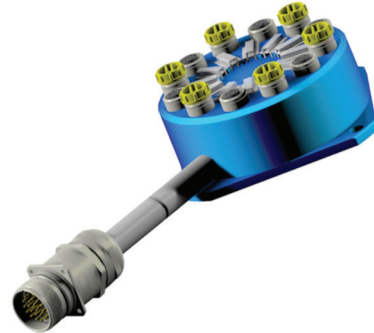
Other length	On request
--------------	------------

Accessories (included) :

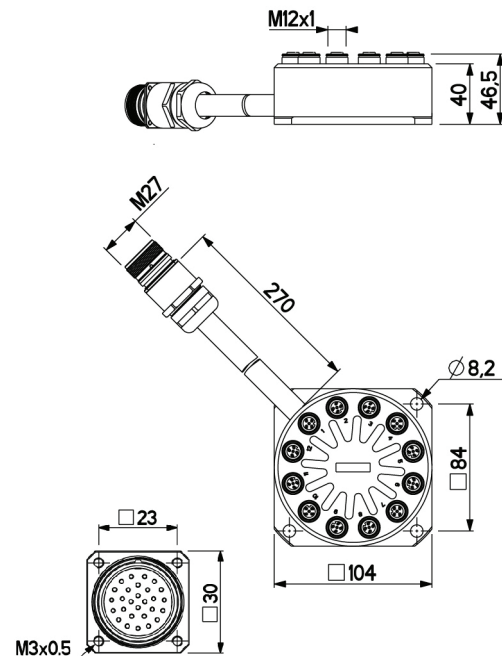
12 label holders (EMR)
6 plugs (OBTM12)

REP125/5...5S30

Industrial automation



Dimensions :



Wiring diagram :

See following page

Wiring diagram :

