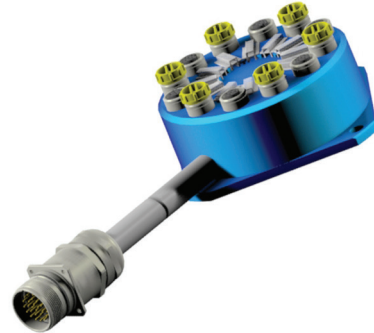


Technical data :	
Operating voltage	10...55 V DC
Nominal current per signal	4 A
Total current	12 A
Insulation resistance	> 100 MΩ
Ambient temperature range	-25...70 °C
Protection :	
Protection degree	IP67
Materials :	
Housing	Anodized aluminium
Potting	PUR (UL94-V0 self-extinguishing)
M12 female receptacle :	
Receptacle material	CuZn, nickel-plated
Contact diameter	5 x Ø1 mm
Contact material	CuZn, pre-plated with nickel and gold-plated
Contact resistance	< 5 mΩ
M27 male receptacle :	
Receptacle material	CuZn, nickel-plated
Contact diameter	28 x Ø1 mm
Contact material	CuZn, pre-plated with nickel and gold-plated
Contact resistance	< 5 mΩ
Cable characteristics :	
Sheath material	PVC
Wire structure	30 G 0,50 mm ²
Conductor class	5
Sheath diameter	14,4 mm
Flame resistance according to	VDE 0482 T 265-2-1
Oil resistance according to	Good oil resistance
Cable length :	
Other length	On request
Accessories (included) :	
12 label holders (EMR)	
6 plugs (OBTM12)	

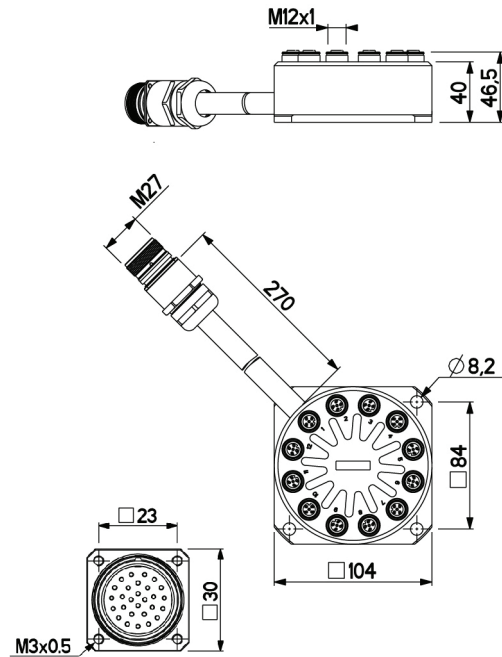
REP125/50025S30

Industrial automation



RoHS

Dimensions :



Wiring diagram :

See following page

Wiring diagram :

