

<b>Technical data :</b>	
Operating voltage	10...55 V DC
Nominal current per signal	4 A
Total current	12 A
Insulation resistance	> 100 MΩ
Ambient temperature range	-20...70 °C
<b>Protection :</b>	
Protection degree	IP67
<b>Materials :</b>	
Housing	Anodized aluminium
Potting	PUR (UL94-V0 self-extinguishing)
<b>M12 female receptacle :</b>	
Receptacle material	CuZn, nickel-plated
Contact diameter	5 x Ø1 mm
Contact material	CuZn, pre-plated with nickel and gold-plated
Contact resistance	< 5 mΩ
<b>M23 male receptacle ("A" marking) :</b>	
Mounting type	Internal screwing
Receptacle material	Hood, CuZn, nickel-plated
Locking nut/screw material	CuZn, nickel-plated
Contact diameter	16 x Ø1 mm + 3 x Ø1,5 mm
Contact material	CuZn, pre-plated with nickel and gold-plated
Contact resistance	< 5 mΩ
Ground contact (N°12) connected to metal body of connector	
<b>M23 male receptacle ("B" marking) :</b>	
Mounting type	Internal screwing
Receptacle material	Hood, CuZn, nickel-plated
Locking nut/screw material	CuZn, nickel-plated
Contact diameter	16 x Ø1 mm + 3 x Ø1,5 mm
Contact material	CuZn, pre-plated with nickel and gold-plated
Contact resistance	< 5 mΩ
Ground contact (N°12) connected to metal body of connector	
<b>Cable characteristics :</b>	
Sheath material	Halogen free PUR
Wire structure	3 G 1 mm <sup>2</sup> + 16 x 0,34 mm <sup>2</sup>
Conductor class	6
Sheath diameter	10,9 mm
Flame resistance according to	IEC 60332-1 (VDE 0472-804/B)
Oil resistance according to	EN 50363 & IEC 60811-2-1 & CNOMO
<b>Cable length :</b>	
Other length	On request
<b>Accessories (included) :</b>	
12 label holders (EMR)	
6 plugs (OBTM12)	

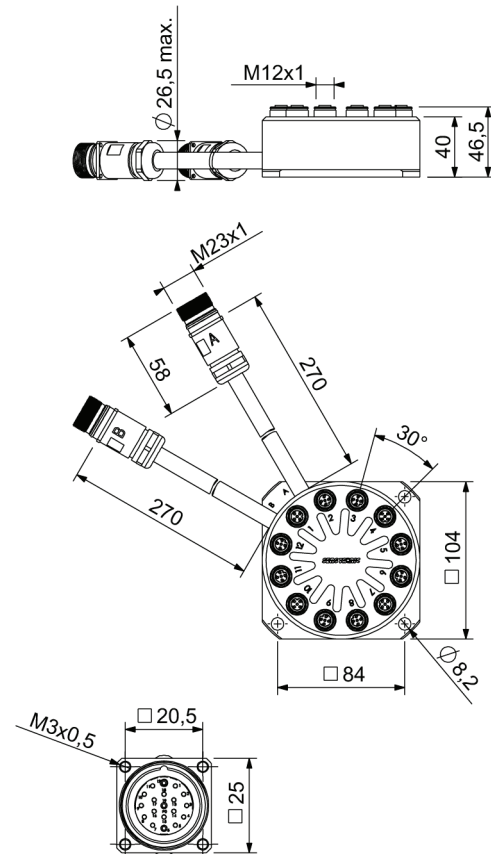
## REP125/50025S23D

Industrial automation



RoHS

**Dimensions :**



**Wiring diagram :**

See following page

**Wiring diagram :**

