

**Technical data :**

Function	NO
Operating voltage	24V DC
Operating current	5...40 mA
Voltage drop	< 3 V
Ambient temperature range	0...60 °C

**Protection :**

IEC 61000-4-2 (ESD)	4kV Contact / 8kV Air
IEC 61000-4-4 (Burst)	2kV / 5kHz
IEC 61000-4-6 (RF conducted)	3V 150kHz...80MHz
Protection degree	IP67

**Materials :**

Housing	Plastic
---------	---------

**Status indication :**

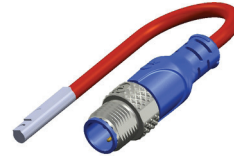
Output	Red LED
--------	---------

**Connection :**

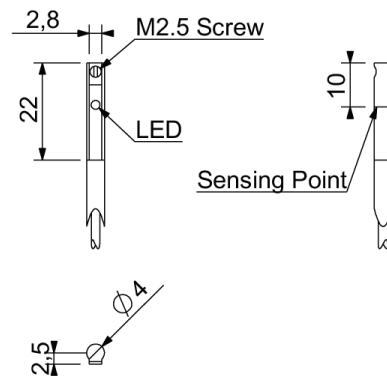
Connector	M12
Cable	PVC
Cable length	0,8 m (0/+30 mm)
Cable protection	Silicone-coated fiberglass braided sleeving

## R12A208Q220321TS

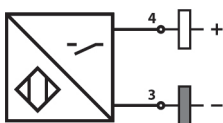
Welding environment  
Q22



**Dimensions :**



**Connection diagram :**



**Pin assignment :**

