

Technical data :

Function	NO
Operating voltage	24V DC
Operating current	5...40 mA
Voltage drop	< 3 V
Ambient temperature range	0...60 °C

Protection :

IEC 61000-4-2 (ESD)	4kV Contact / 8kV Air
IEC 61000-4-4 (Burst)	2kV / 5kHz
IEC 61000-4-6 (RF conducted)	3V 150kHz...80MHz
Protection degree	IP67

Materials :

Housing	Plastic
---------	---------

Status indication :

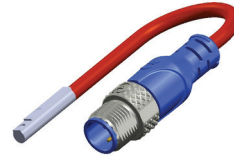
Output	Red LED
--------	---------

Connection :

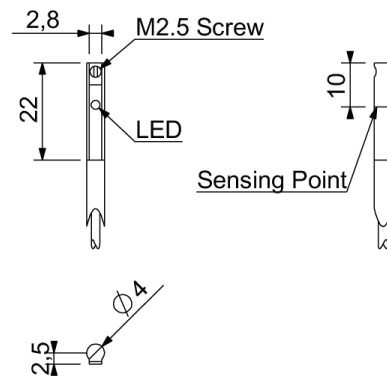
Connector	M12
Cable	PVC
Cable length	0,2 m (0/+20 mm)
Cable protection	Silicone-coated fiberglass braided sleeving

R120202Q220321TS

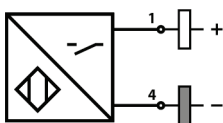
Welding environment
Q22



Dimensions :



Connection diagram :



Pin assignment :

