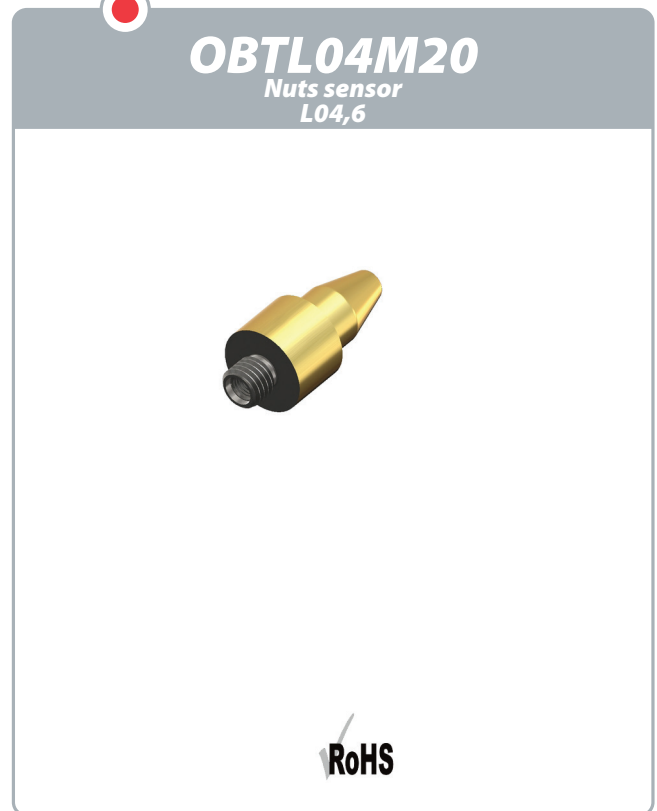


Materials :
 Housing Stainless steel
 Coating (tip and body) Titanium Nitride

Operating conditions :
 Sensor reference to associate to this accessory : C12T305L040932
 Detected nuts : M20 ferromagnetic nuts
 (*) : Optimal sensing point



Dimensions :

